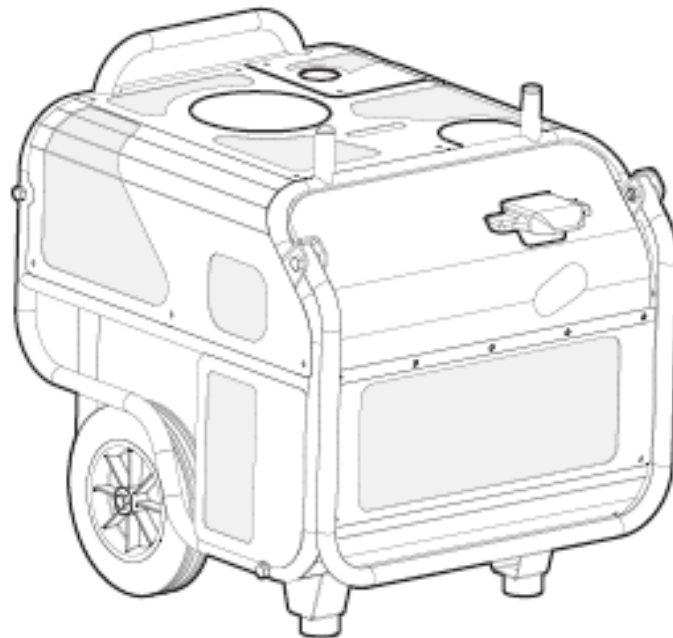


LP 13-30 P



Spare Parts List Hydraulic Power Pack

LP 13-30 P s/n BGF000001 -



TECHBUD



General information

This spare parts list applies to the following:

Part number	Description
1807011023	LP 13-30 P OEU 30/20L 13 HP AC
1807011012	LP 13-30 P 30/20 lpm 13 HP AC

Use only authorized parts. Any damage or malfunction caused by the use of unauthorized parts is not covered by Warranty or Product Liability. Any unauthorized use or copying of the contents or any part thereof is prohibited. This applies in particular to trademarks, model denominations, part numbers, and drawings.

Instructions for use

This spare parts list contains no safety regulations and is merely intended to assist in the ordering of spare parts.

For information about operating, servicing, or repairing, the relevant Safety and operating instructions must be consulted at all costs.

Please observe the safety instructions listed in the relevant Safety and operating instructions!

POD Installed	1
Frame and cowl	3
Hoses and fittings	5
Valve block	7
Tank and engine	11

Tightening torque

Tightening torque LP 13-30 P	15
------------------------------------	----

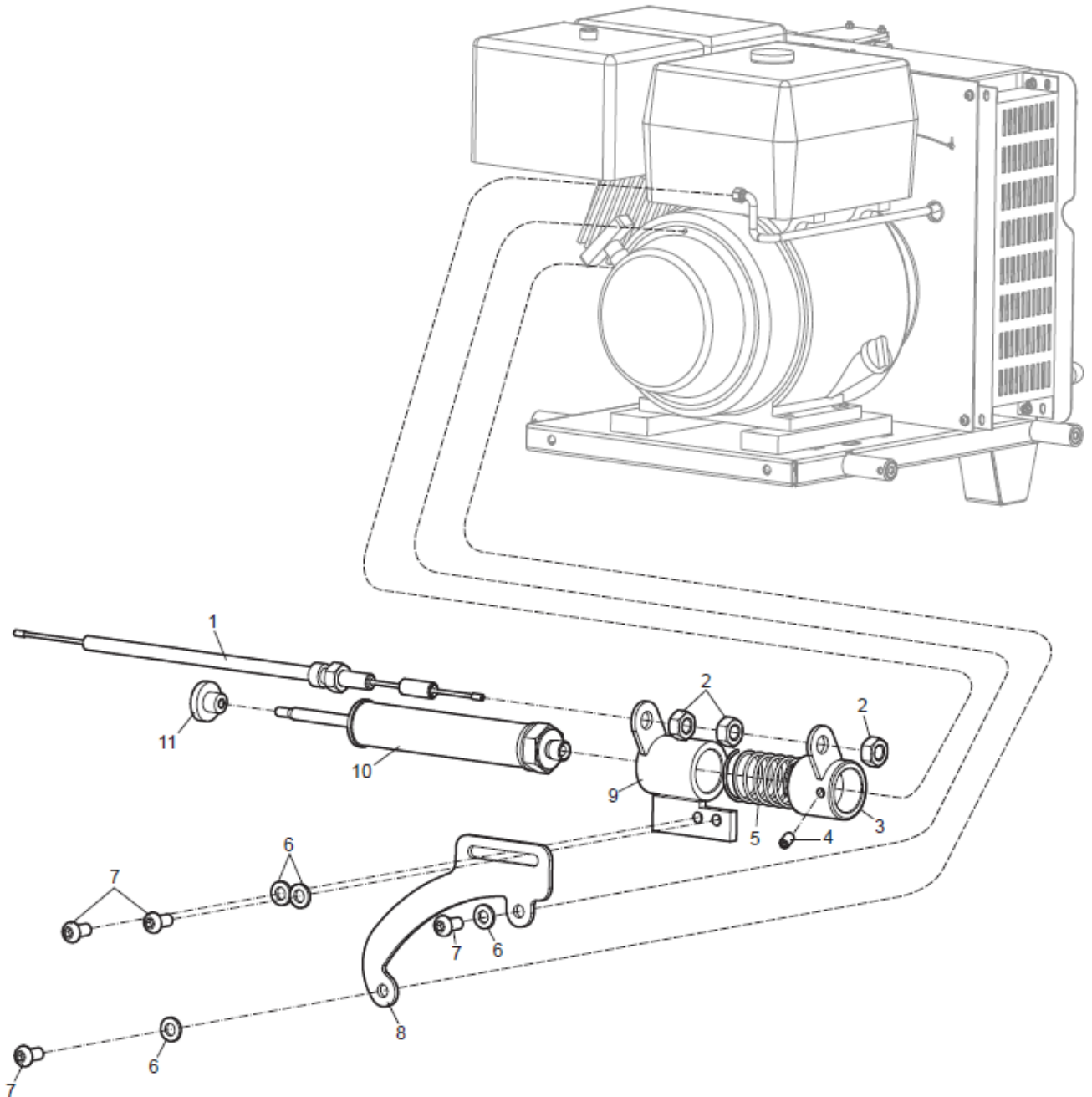
Accessories

Hoses and couplings LP 13-30 P	19
--------------------------------------	----

Kits

Seal kit LP 13-30 P	21
---------------------------	----

POD Installed



Refer to Parts Online for the most up to date information. The printed information might be outdated.

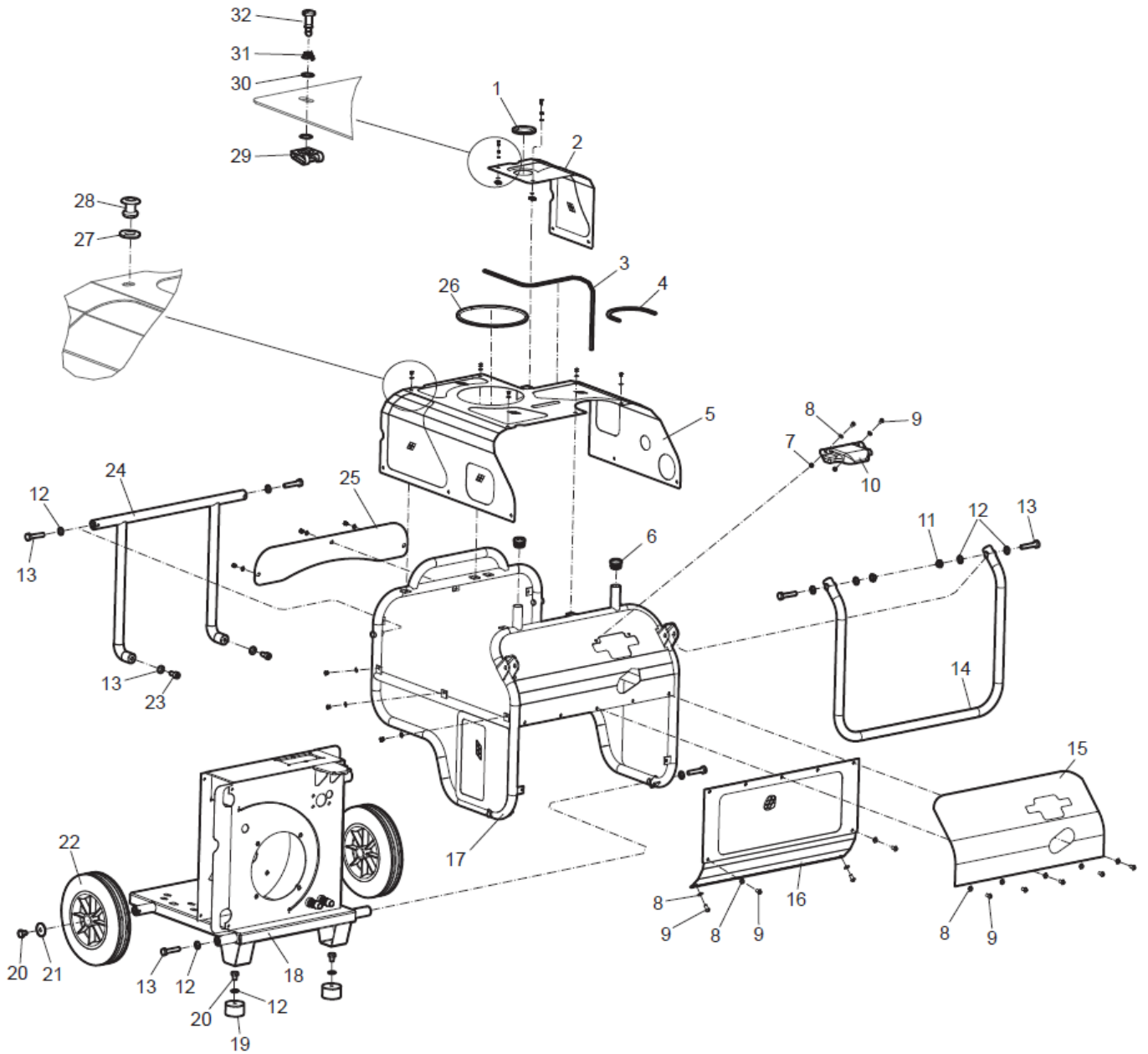
Wed Feb 19 08:50:15 UTC 2020

Item	Part No.	Name	Qty	L
1	3377021481	Clutch wire	1	
2	3371820722	Nut M8	3	
3	3377021483	Cover bushing assembly	1	
4	194120400	Screw M5 x 10 mm	1	
5	3377021490	Spring	1	
6	3377000407	Washer ø6	4	
7	3377123206	Screw M6x12	4	
8	3377021482	POD support	1	
9	3377021090	POD subassembly	1	
10	3377004774	POD coplete	1	
11	3377005730	Knob	1	

Refer to Parts Online for the most up to date information. The printed information might be outdated.

Wed Feb 19 08:50:15 UTC 2020

Frame and cowl



Refer to Parts Online for the most up to date information. The printed information might be outdated.

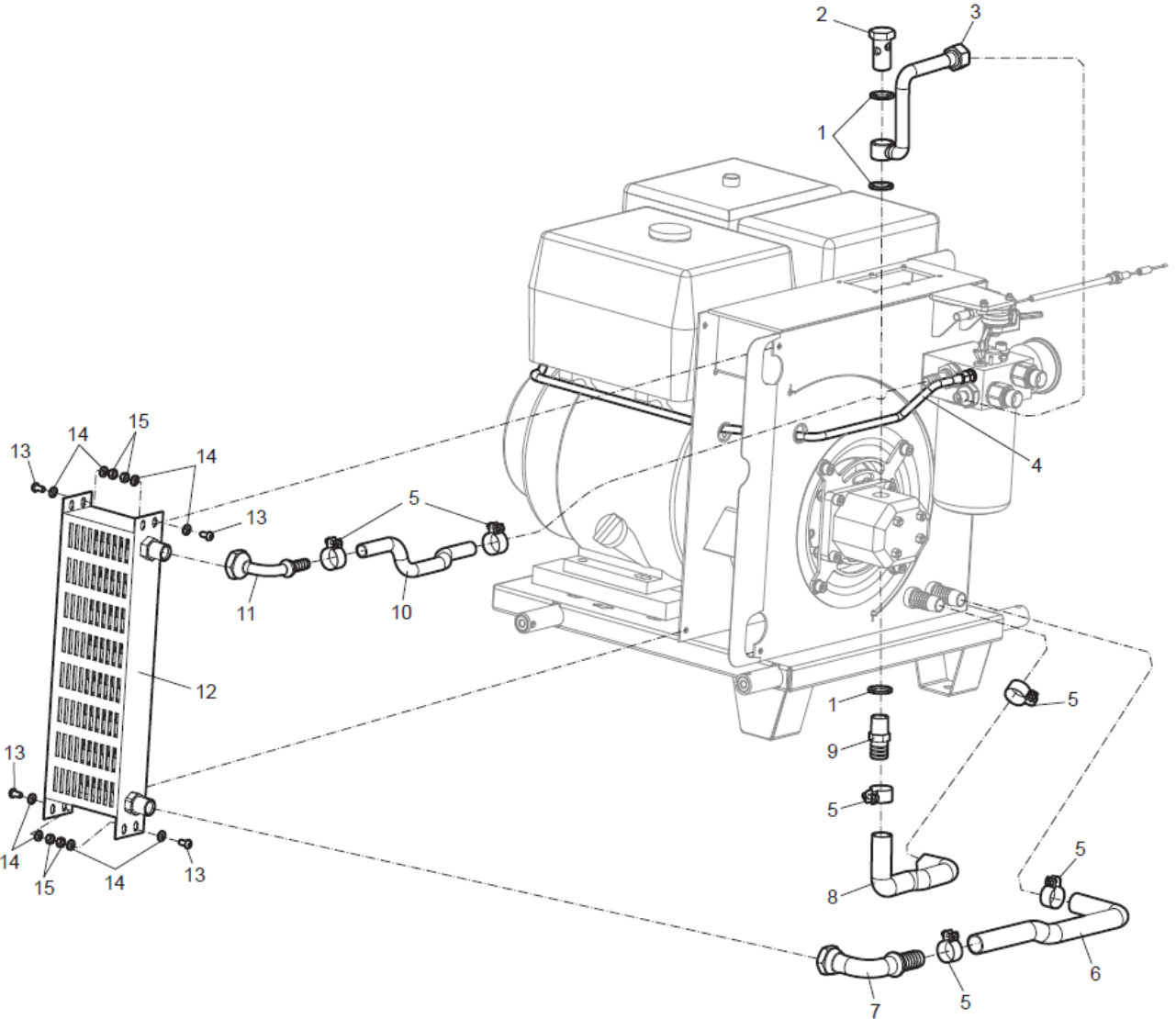
Wed Feb 19 08:50:15 UTC 2020

Item	Part No.	Name	Qty	L
1	3377021487	Edge trim L=194 mm	1	
2	3377021088	Air filter cover	1	
3	3377021484	Edge trim L=595 mm	1	
4	3377021486	Edge trim L=257 mm	1	
5	3377021089	Main cover	1	
6	3377005704	Plastic pipe plug	2	
7	3371814716	Nut M6	2	
8	3377000407	Washer ø6	11	
9	3377123206	Screw M6x12	11	
10	3377021475	Cover control lever	1	
11	3371806702	Nut M10	2	
12	3377100010	Washer ø10	12	
13	3377120010	Screw M10x50	6	
14	3377021085	Foldable handle assembly	1	
15	3371897305	Panel sticker	1	
16	3377021086	Front Panel	1	
17	3377021082	Main frame	1	
18	3377021081	Tank chassis complete	1	
19	3377000405	Rubber feet	2	
20	3377000406	Screw M10x14	4	
21	3377104010	Washer 3/8x35	2	
22	3377000412	Wheel only available in pairs	2	
23	3378302512	Screw M10 x 20 mm, Use LOCTITE® 243™	2	
24	3377021083	Rear frame	1	
25	3377021480	Rear plate	1	
26	3377021485	Edge trim L=602 mm	1	
27	3377000458	Washer ø5	13	
28	3377021813	Rivet 4.8 x 14 mm	13	
29	3377021817	Receptacle	4	
30	3377021819	Washer	8	
31	3377021820	Spring	4	
32	3377021818	Stud	4	

Refer to Parts Online for the most up to date information. The printed information might be outdated.

Wed Feb 19 08:50:15 UTC 2020

Hoses and fittings

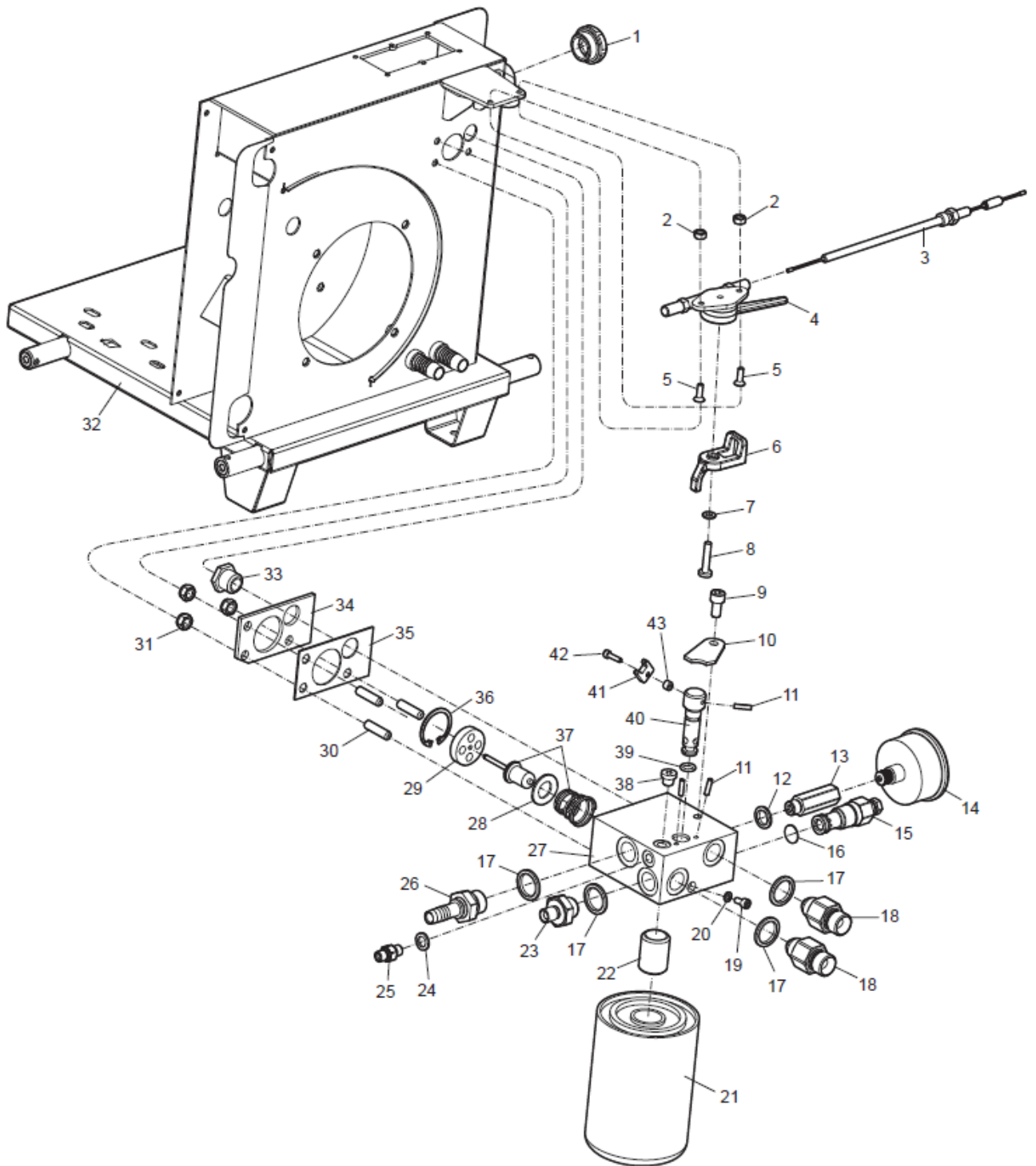


Refer to Parts Online for the most up to date information. The printed information might be outdated.

Wed Feb 19 08:50:15 UTC 2020

Item	Part No.	Name	Qty	L
1	3371805714	Seal ring 1/2"	3	
2	3377000725	Banjo bolt ½ BSP	1	
3	3377000112	High pressure hose	1	
4	3377050694	Hose	1	
5	3377000791	Hose clip ø26/15	6	
6	3377000455	Cooler return line	1	
7	3377000463	Elbow hose fitting ¾ Hose barb - ¾ BSP Male	1	
8	3377000449	Suction hose	1	
9	3377000461	Hose fitting ¾ Hose barb - ½ BSP Male	1	
10	3377000446	Cooler feed line	1	
11	3377000462	Elbow hose fitting ½ Hose barb - ¾ BSP Male	1	
12	3377005702	Oil cooler	1	
13	3377123206	Screw M6x12	4	
14	3377000407	Washer ø6	8	
15	3377110006	Nut M6	4	

Valve block



Refer to Parts Online for the most up to date information. The printed information might be outdated.

Wed Feb 19 08:50:16 UTC 2020

Item	Part No.	Name	Qty	L
1	3377005072	Sight glass	1	
2	0266210700	Nut	2	
3	3377021481	Clutch wire	1	
4	4700001739	Control lever	1	
5	0216195759	Screw M5 x 16 mm	2	
6	3377021479	Control lever	1	
7	3377000424	Washer Ø6	1	
8	4700508018	Screw M6 x 30 mm	1	
9	3377121508	Screw M8x16	1	
10	3377021477	Sliding plate	1	
11	3377013604	Roll pin ø4x16	3	
12	3377016129	Bond seal 1/4 in.	1	
13	3377021488	Adapter 14M-14F	1	
14	3377005067	Filter gauge + clamp	1	
15	3377005172	Pressure relief valve	1	
16	3377000588	Filter washer	1	
17	3377016019	Seal ring ø19	4	
18	3377021464	Adaptor 3/4 in. UNF - 1/2 in. BSP, Use LOCTITE® 243™	2	
19	3377121005	Screw M5x10	1	
20	3377005113	Seal ring ø5/ø9x1	1	
21	3377005075	Filter 25 Mikron	1	
22	3377005263	Filter adaptor	1	
23	3377000113	Nipple	1	
24	3377016125	Seal ring 1/8"	1	
25	3377000417	Adaptor 02-02	1	
26	3377000433	Hose fitting	1	
27	3377021414	Valve block	1	
28	3377100016	Washer 5/8	1	
29	3377004084	Thermostat end cap	1	
30	3377122008	Screw M8x30	3	
31	3377111008	Nut M8	3	
32	3377021081	Tank chassis complete	1	
33	3377004747	By-pass valve	1	
34	3377004050	Clamp plate	1	
35	3377004051	Seal	1	

Refer to Parts Online for the most up to date information. The printed information might be outdated.

Wed Feb 19 08:50:16 UTC 2020

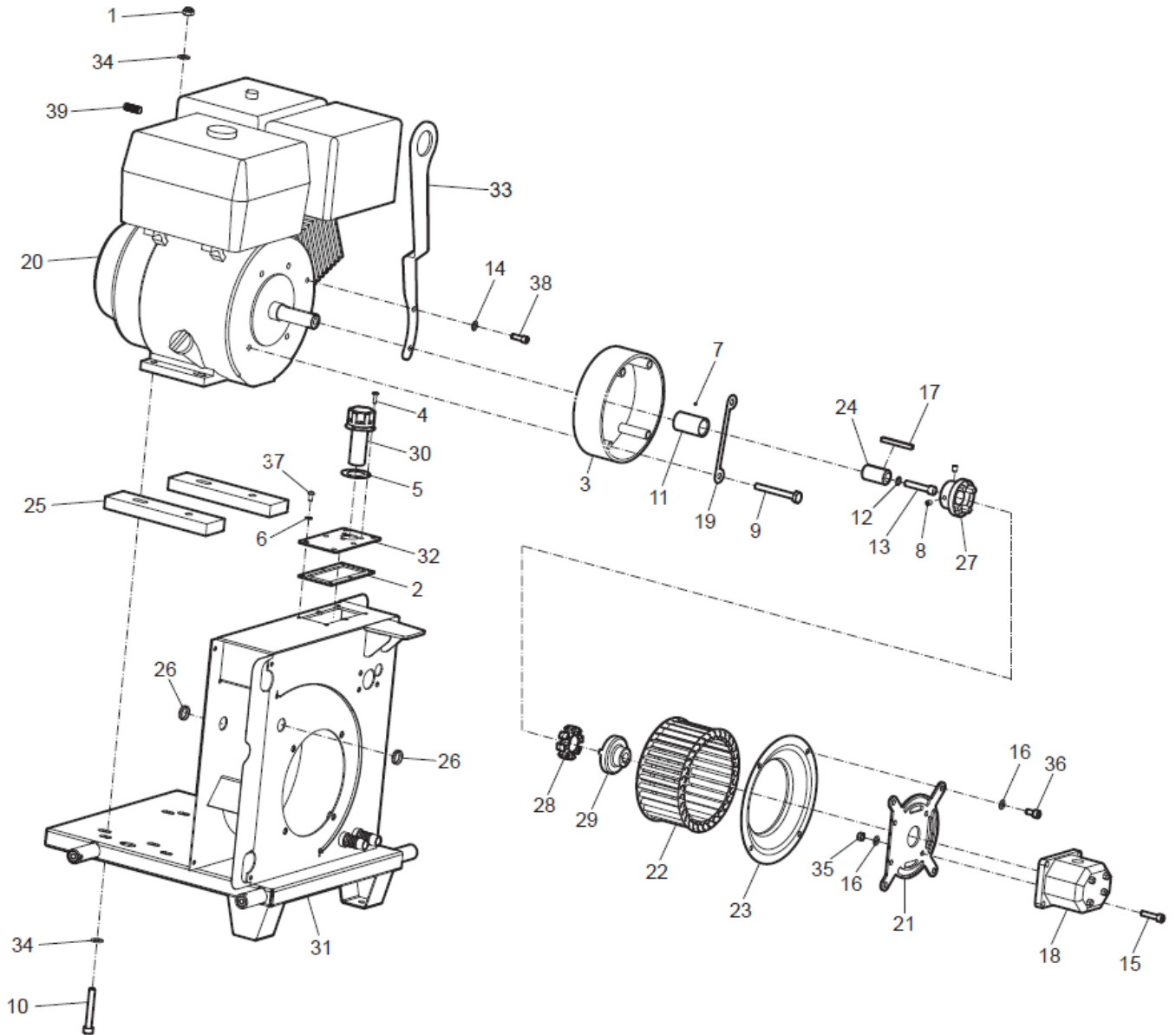
This page intentionally left blank

Item	Part No.	Name	Qty	L
36	3377005128	Locking ring M36x1.5	1	
37	3377005082	Thermostat complete	1	
38	3377000418	Screw M5x8	1	
39	3377000416	O-Ring ø9.6x2.4	1	
40	3377021489	Spool	1	
41	3377021476	Cam	1	
42	0211117300	Screw M4 x 16-12.9 mm	1	
43	3377021478	Tube	1	

Refer to Parts Online for the most up to date information. The printed information might be outdated.

Wed Feb 19 08:50:16 UTC 2020

Tank and engine



Refer to Parts Online for the most up to date information. The printed information might be outdated.

Wed Feb 19 08:50:16 UTC 2020

Item	Part No.	Name	Qty	L
1	3371806702	Nut M10	4	
2	3377000069	Seal	1	
3	3377000250	Spacer ring	1	
4	3377000401	Screw M5x16	3	
5	3377000403	Seal	1	
6	3377000407	Washer ø6	6	
7	3377000413	Screw M4x4	1	
8	3377000415	Screw M8x10	2	
9	3377000420	Screw 3/8 in. - UNC 83 mm	4	
10	3377000436	Screw M10x70, Use Loctite 245	4	
11	3377000464	Distance bushing	1	
12	3377000465	Washer 3/8 in.	1	
13	3377000466	Screw 3/8 in. x 51 mm	1	
14	3377000469	Washer ø8	2	
15	3377000477	Screw M8x35	4	
16	3377000503	Washer Ø8	8	
17	3377000569	Parallel key 6.3x6.3x63	1	
18	3377000738	Pump 10cc	1	
19	3377000792	Lock plate	2	
20	3377000813	Engine Honda GX390QX	1	
21	3377001535	Pump plate	1	
22	3377002621	Fan	1	
23	3377002685	Fan inlet ring	1	
24	3377004667	Engine shaft extension	1	
25	3377004720	Spacer	2	
26	3377005087	Rubber grommet	2	
27	3377005168	Engine half coupling	1	
28	3377005169	Coupling spider	1	
29	3377005171	Pump half coupling	1	
30	3377005259	Filler cap	1	
31	3377021081	Tank chassis complete	1	
32	3377021466	Cover upper	1	
33	3377021468	Lifting eye	1	
34	3377100010	Washer ø10	8	
35	3377111008	Nut M8	4	

Refer to Parts Online for the most up to date information. The printed information might be outdated.

Wed Feb 19 08:50:16 UTC 2020

This page intentionally left blank

Item	Part No.	Name	Qty	L
36	3377121508	Screw M8x16	4	
37	3377123206	Screw M6x12	11	
38	3377500716	Screw 5/16 in. - UNC 25 mm	2	
39	3377000414	Screw M5, Use LOCTITE 243™	1	

Refer to Parts Online for the most up to date information. The printed information might be outdated.

Wed Feb 19 08:50:16 UTC 2020

Tightening torque Tightening torque LP 13-30 P

Image does not exist

Item	Part No.	Name	Qty	L
-	3377120010	Screw M10x50	-	I
-	3378302512	Screw M10 x 20 mm, Use LOCTITE® 243™	-	I
-	3377000401	Screw M5x16	-	A
-	3377123206	Screw M6x12	-	B
-	3377005072	Sight glass	-	E
-	3377000406	Screw M10x14	-	I
-	3371803707	Fitting 06	-	L
-	3377000406	Screw M10x14	-	H
-	3377000477	Screw M8x35	-	J
-	3377121508	Screw M8x16	-	J
-	3377000415	Screw M8x10	-	D
-	3377000410	Screw UNC 3/8 in. x 51 mm, Use LOCTITE® 243™	-	K
-	3377121010	Screw M10x40	-	D
-	3371820721	Screw M8x20	-	K
-	3377000436	Screw M10x70, Use Loctite 245	-	D
-	3371815722	Screw M10x20	-	D
-	3377500719	Screw M6 x 25 mm	-	A
-	3377000413	Screw M4x4	-	A
-	3377000401	Screw M5x16	-	A
-	3377021464	Adaptor 3/4 in. UNF - 1/2 in. BSP, Use LOCTITE® 243™	-	H
-	3377121005	Screw M5x10	-	A
-	3377005172	Pressure relief valve	-	H
-	3377005067	Filter gauge + clamp	-	A
-	3377000417	Adaptor 02-02	-	C
-	3377000433	Hose fitting	-	
-	3377000414	Screw M5, Use LOCTITE 243™	-	A
-	3377000459	Handle M6, Use LOCTITE® 243™	-	A
-	3371813141	Fitting	-	A
-	3377111008	Nut M8	-	C
-	3377004747	By-pass valve	-	H
-	3371817740	Fitting 02 w/seal Use Loctite 245	-	A
-	3371805134	Quick release coupling 1/2" Flat-face Male	-	L
-	3371805133	Quick release coupling 1/2" Flat-face Female	-	L
-	3377000422	Screw M6 x 35 mm, Use LOCTITE® 243™	-	A
-	3377000423	Nut M6	-	A

Refer to Parts Online for the most up to date information. The printed information might be outdated.

Wed Feb 19 08:50:16 UTC 2020

This page intentionally left blank

Item	Part No.	Name	Qty	L
-	3377050694	Hose	-	D
-	3377000432	Adaptor 08-06	-	H
-	3377021465	High pressure hose	-	F
-	3377000790	Hose clip ø21/15	-	A
-	3377000789	Hose clip ø19/12	-	A
-	3377000427	Hose fitting	-	H
-	3377000433	Hose fitting	-	H
-	3371803055	Twin hose Ø12.5 mm Length = 7 m, BSP Male - BSP Female Ø1/2 in. Length = 23 ft	-	J

Comments for Page: Tightening torque LP 13-30 P

LOCTITE is a registered trademark of Henkel Corporation. 243 is a trademark of Henkel Corporation.

(L)OCAL REMARKS

A | "5"
 B | "6"
 C | "10"
 D | "15"
 E | "20"
 F | "25"
 J | "28"
 H | "30"
 I | "40"
 J | "45"
 K | "47"
 L | "60"

Accessories Hoses and couplings LP 13-30 P

Image does not exist

Item	Part No.	Name	Qty	L
-	3371801087	Twin extension hose complete Incl. Fig. No. 200-207	1	
-	3371805714	Seal ring 1/2"	4	
-	3371805133	Quick release coupling 1/2" Flat-face Female	2	
-	3371805134	Quick release coupling 1/2" Flat-face Male	2	
-	3371805733	Protective cap 1/2" female	2	
-	3371805732	Protective cap For 1/2" male QRC	2	
-	3371803052	Twin extension hose 7 m 1/2" BSP M – BSP M	1	
-	3371801154	Test equipment	1	

Kits Seal kit LP 13-30 P

Image does not exist

Item	Part No.	Name	Qty	L
-	3377000121	Seal kit For POD cylinder	1	
-	3377016129	Bond seal 1/4 in.	1	
-	3371817717	O-ring Ø5 x 1.5 mm Ø0.20 x 0.06 in.	1	
-	3377016375	Seal ring 3/8"	1	
-	3377000730	Seal Ø6/Ø13 x 5 mm Ø0.24/Ø0.51 x 0.20 in.	4	
-	3377000732	Seal Ø6/Ø13 x 3 mm Ø0.24/Ø0.51 x 0.12 in.	1	
-	3377000733	Locking ring	1	

Refer to Parts Online for the most up to date information. The printed information might be outdated.

Wed Feb 19 08:50:17 UTC 2020

AUTORYZOWANY PARTNER:

TECHBUD

SILNIKI • MASZYNY BUDOWLANE • DROGOWE • AGREGATY

Techbud Sp. z o.o.
ul. Gorzowska 12
65-127 Zielona Góra

tel. +48 68 470 72 50
fax +48 68 470 72 51
www.techbud.eu
techbud@techbud.eu

Any unauthorized use or copying of the contents or any part thereof is prohibited.
This applies in particular to trademarks, model denominations, part numbers, and
drawings.

Atlas Copco

www.atlascopco.com