

LPD T, RV



Spare Parts List Hydraulic Post Drivers

LPD T, RV



TECHBUD



General information

This spare parts list applies to the following:

Part number	Description
1801404002	Hydraulic post driver LPD-T
1801405002	Hydraulic post driver LPD-RV

Use only authorized parts. Any damage or malfunction caused by the use of unauthorized parts is not covered by Warranty or Product Liability. Any unauthorized use or copying of the contents or any part thereof is prohibited. This applies in particular to trademarks, model denominations, part numbers, and drawings.

Instructions for use

This spare parts list contains no safety regulations and is merely intended to assist in the ordering of spare parts.

For information about operating, servicing, or repairing, the relevant Safety and operating instructions must be consulted at all costs.

Please observe the safety instructions listed in the relevant Safety and operating instructions!

General information

This spare parts list applies to the following:

Part number	Description
1801 4040 02	Hydraulic post driver LPD-T
1801 4050 02	Hydraulic post driver LPD-RV

Use only authorized parts. Any damage or malfunction caused by the use of unauthorized parts is not covered by Warranty or Product Liability. Any unauthorized use or copying of the contents or any part thereof is prohibited. This applies in particular to trademarks, model denominations, part numbers, and drawings.

Instructions for use

This spare parts list contains no safety regulations and is merely intended to assist in the ordering of spare parts.

For information about operating, servicing, or repairing, the relevant Safety and operating instructions must be consulted at all costs.

Please observe the safety instructions listed in the relevant Safety and operating instructions!

Spare parts list

LPD-T 1
LPD-RV 7
Remote valve 13

Tightening torque

Tightening torque 15

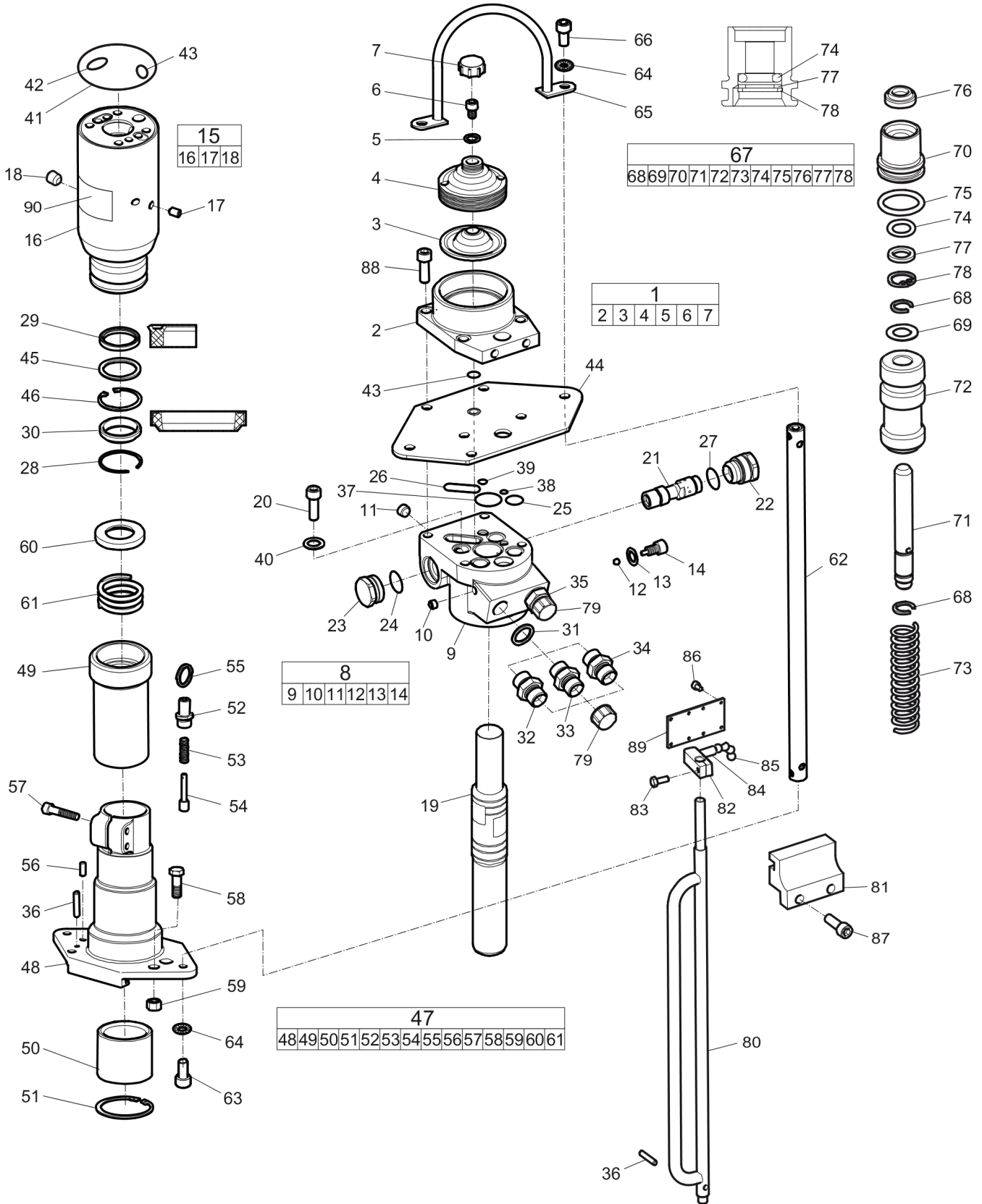
Accessories

Hoses and couplings 17
Adapters 19

Kits

Seal kit 21
Label kit 23
Accumulator kit 25
3310101845_Accumulator repair kit 27

Spare parts list LPD-T



Refer to Parts Online for the most up to date information. The printed information might be outdated.

Wed Feb 19 08:58:07 UTC 2020

Item	Part No.	Name	Qty	L
1	3371821024	Accumulator kit	1	
2	3371821027	Accumulator body	1	
3	3371814052	Diaphragm	1	
4	3371814066	Part Description Not Available	1	
5	3371814709	Seal ring	1	
6	3371813103	Charging screw	1	
7	3376117071	Protective cap	1	
8	3371821064	Valve housing, complete	1	
9	--	Valve housing	1	
10	3371814733	Fitting	4	
11	3371813141	Fitting	2	
12	3371820717	Ball	1	
13	3371820718	Seal ring	1	
14	3371820115	Check valve screw	1	
15	3371821063	Cylinder, complete	1	
16	--	Cylinder	1	
17	3371814733	Fitting	2	
18	3371813141	Fitting	1	
19	3371821132	Piston	1	
20	3371814723	Screw	4	
21	3371821133	Spool	1	
22	3371821134	Guide socket	1	
23	3371820267	Spool socket	1	
24	3371820702	O-ring Ø 0.94 x 0.06 in. Ø 24 x 1.5 mm	1	
25	3371820703	O-ring Ø 0.71 x 0.08 in. Ø 18 x 2 mm	4	
26	3371820705	O-ring Ø 1.26 x 0.08 in. Ø 32 x 2 mm	1	
27	3371820762	O-ring Ø 0.99 x 0.07 in. Ø 25.1 x 1.8 mm	1	
28	3371820740	Locking ring	1	
29	3371820176	Seal Ø 1.26 x 1.57 x 0.24 in. Ø 32 x 40 x 6 mm	1	
30	3371820708	Wiper Ø 1.26 x 1.77 x 0.28 x 0.39 in. Ø 32 x 45 x 7 x 10 mm	1	
31	3371805714	Seal ring 1/2"	2	
32	3371805711	Nipple	1	
33	3371818013	Nipple, optional (T) For 25 lpm 1/2 in. BSP	1	
34	3371818020	Nipple, optional (T) For 30 l/min at back pressure up to 10 bar	1	
35	3371805711	Nipple	1	

Refer to Parts Online for the most up to date information. The printed information might be outdated.

Wed Feb 19 08:58:07 UTC 2020

This page intentionally left blank

Item	Part No.	Name	Qty	L
36	3371820731	Roll pin, 6 x 30 mm, 0.24 x 1.18 in.	2	
37	3371820704	O-ring Ø1.18 x 0.08 in. Ø 30 x 2 mm	1	
38	3371817757	O-ring Ø 0.24 x 0.08 in. Ø 6 x 2 mm	1	
39	3376100084	O-ring Ø 0.31 x 0.08 in. Ø 8 x 2 mm	1	
40	3371815735	Back-up washer	4	
41	3371820725	O-ring Ø 3.23 x 0.06 in. Ø 82 x 1.5 mm	1	
42	3371820726	O-ring Ø 0.63 x 0.06 in. Ø 16 x 1.5 mm	1	
43	3371814749	O-ring Ø 0.51 x 0.06 in. Ø 13 x 1.5 mm	2	
44	3371820281	Top plate	1	
45	3371820167	Back-up washer Ø 1.29 x 1.77 x 0.10 in. Ø 32.7 x 45 x 2.5 mm	1	
46	3371820727	Locking ring	1	
47	3371821034	Nose part, complete	1	
48	3371820282	Nose part	1	
49	3371820283	Anvil	1	
50	3371820284	Bushing	1	
51	3371820759	Locking ring, 80 mm, 3.15 in.	1	
52	3371820285	Pin housing	1	
53	3371820286	Spring	1	
54	3371820287	Lock pin	1	
55	3371820756	Split ring	1	
56	3371820757	Roll pin, 8 x 20 mm, 0.31 x 0.79 in.	1	
57	3371814724	Screw	2	
58	3371816700	Hexagon head bolt	1	
59	3371816702	Nut	1	
60	3371821136	Washer	1	A
61	3371821135	Spring	1	B
62	3371820288	Handle	2	
63	3371814728	Screw, M10 x 20 mm	2	
64	3377100010	Washer ø10	4	
65	3371820294	Lifting bracket	1	
66	3371817721	Screw - 60	2	
67	3371820053	Trigger valve kit	1	
68	3371814732	Circlip	2	
69	3371820700	Shim PS 0.31 x 0.55 x 0.02 in. PS 8 x 14 x 0.5 mm	1	
70	3371820108	Trigger spool	1	

Refer to Parts Online for the most up to date information. The printed information might be outdated.

Wed Feb 19 08:58:07 UTC 2020

This page intentionally left blank

Item	Part No.	Name	Qty	L
71	3371820136	Trigger rod	1	
72	3371814120	Packing gland	1	
73	3371820137	Spring	1	
74	3371814700	O-ring Ø 0.33 x 0.09 in. Ø 8.3 x 2.4 mm	1	
75	3371814702	O-ring Ø 0.64 x 0.09 in. Ø 16.3 x 2.4 mm	1	
76	3371805503	Seal Ø 0.71 x 0.55 x 0.14 x 0.20 in. Ø 18 x 14 x 3.5 x 5 mm	1	
77	3371814701	Back-up ring	1	
78	3371814712	Circlip	1	
79	3371813709	Protective cap 1/2 in. BSP	2	
80	3371820289	Trigger lever	1	
81	3371820290	Trigger housing	1	
82	3371820292	Trigger	1	
83	3371817726	Screw, M8 x 15 mm	1	
84	3371820760	Cylinder pin, 9.53 x 25.4 mm, 3/8 x 1 in.	1	
85	3371820758	Ball, 9.53 mm, 3/8 in.	4	
86	0211120303	Screw, M5 x 8 mm	4	
87	3371817720	Screw	2	
88	3371814723	Screw	4	
89	3371820291	Trigger plate	1	
90	-	Data plate (Not available separately)	1	

Comments for Page: LPD-T

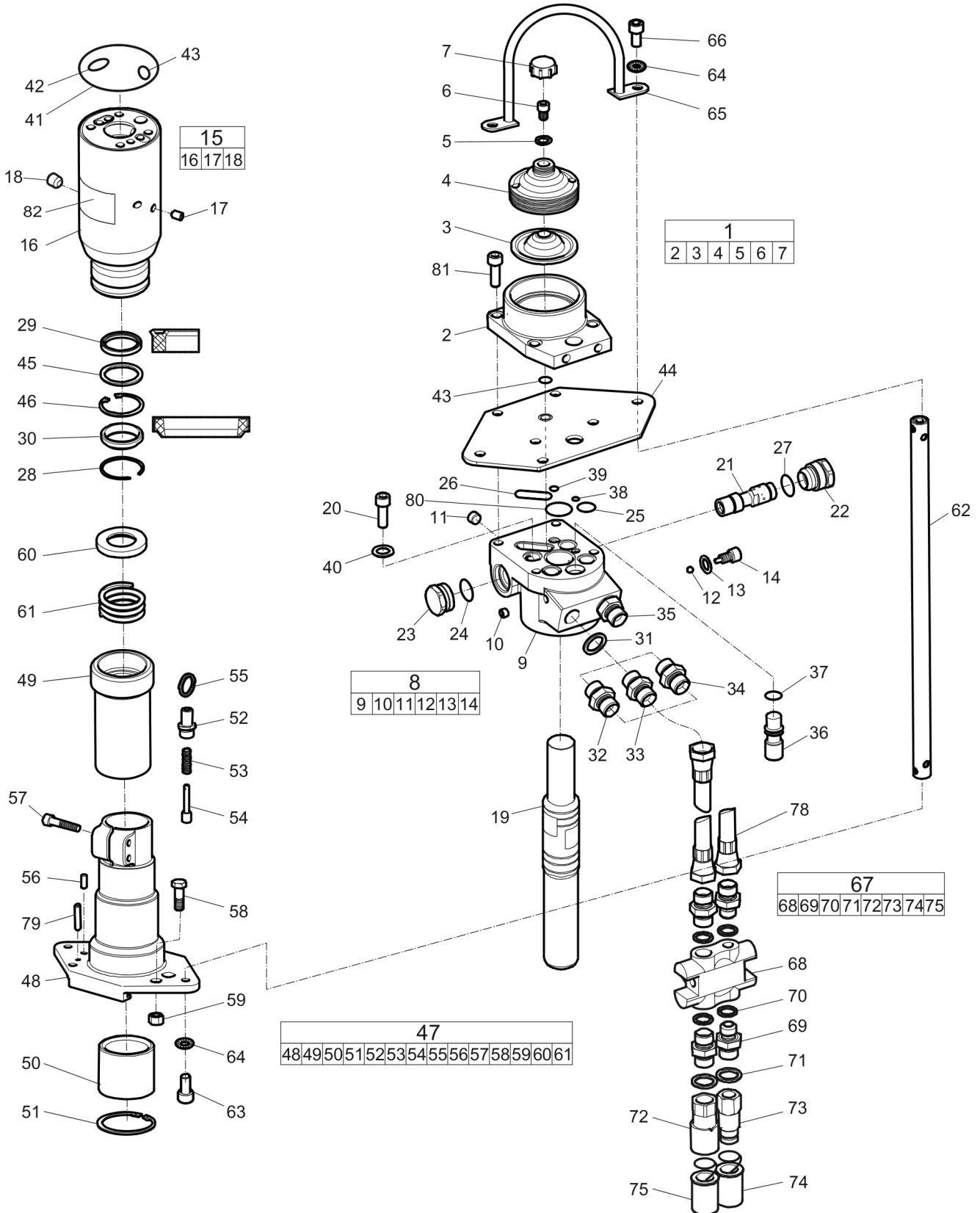
LOCTITE is a registered trademark of Henkel Corporation. 245 are trademarks of Henkel Corporation.

(L)OCAL REMARKS

A | From serial no. 253108 -

B | From serial no. 253108 -

Spare parts list LPD-RV



Refer to Parts Online for the most up to date information. The printed information might be outdated.

Wed Feb 19 08:58:08 UTC 2020

Item	Part No.	Name	Qty	L
1	3371821024	Accumulator kit	1	
2	3371821027	Accumulator body	1	
3	3371814052	Diaphragm	1	
4	3371814066	Part Description Not Available	1	
5	3371814709	Seal ring	1	
6	3371813103	Charging screw	1	
7	3376117071	Protective cap	1	
8	3371821064	Valve housing, complete	1	
9	--	Valve housing	1	
10	3371814733	Fitting	4	
11	3371813141	Fitting	2	
12	3371820717	Ball	1	
13	3371820718	Seal ring	1	
14	3371820115	Check valve screw	1	
15	3371821063	Cylinder, complete	1	
16	--	Cylinder	1	
17	3371814733	Fitting	2	
18	3371813141	Fitting	1	
19	3371821132	Piston	1	
20	3371814723	Screw	4	
21	3371821133	Spool	1	
22	3371821134	Guide socket	1	
23	3371820267	Spool socket	1	
24	3371820702	O-ring Ø 0.94 x 0.06 in. Ø 24 x 1.5 mm	1	
25	3371820703	O-ring Ø 0.71 x 0.08 in. Ø 18 x 2 mm	4	
26	3371820705	O-ring Ø 1.26 x 0.08 in. Ø 32 x 2 mm	1	
27	3371820762	O-ring Ø 0.99 x 0.07 in. Ø 25.1 x 1.8 mm	1	
28	3371820740	Locking ring	1	
29	3371820176	Seal Ø 1.26 x 1.57 x 0.24 in. Ø 32 x 40 x 6 mm	1	
30	3371820708	Wiper Ø 1.26 x 1.77 x 0.28 x 0.39 in. Ø 32 x 45 x 7 x 10 mm	1	
31	3371805714	Seal ring 1/2"	2	
32	3371805711	Nipple	1	
33	3371818013	Nipple, optional (T) For 25 lpm 1/2 in. BSP	1	
34	3371818020	Nipple, optional (T) For 30 l/min at back pressure up to 10 bar	1	
35	3371805711	Nipple	1	

Refer to Parts Online for the most up to date information. The printed information might be outdated.

Wed Feb 19 08:58:08 UTC 2020

This page intentionally left blank

Item	Part No.	Name	Qty	L
36	3371820240	Trigger valve	1	A
37	3371814702	O-ring Ø 0.64 x 0.09 in. Ø 16.3 x 2.4 mm	1	
38	3371817757	O-ring Ø 0.24 x 0.08 in. Ø 6 x 2 mm	1	
39	3376100084	O-ring Ø 0.31 x 0.08 in. Ø 8 x 2 mm	1	
40	3371815735	Back-up washer	4	
41	3371820725	O-ring Ø 3.23 x 0.06 in. Ø 82 x 1.5 mm	1	
42	3371820726	O-ring Ø 0.63 x 0.06 in. Ø 16 x 1.5 mm	1	
43	3371814749	O-ring Ø 0.51 x 0.06 in. Ø 13 x 1.5 mm	2	
44	3371820281	Top plate	1	
45	3371820167	Back-up washer Ø 1.29 x 1.77 x 0.10 in. Ø 32.7 x 45 x 2.5 mm	1	
46	3371820727	Locking ring	1	
47	3371821034	Nose part, complete	1	
48	--	Nose part	1	
49	3371820283	Anvil	1	
50	3371820284	Bushing	1	
51	3371820759	Locking ring, 80 mm, 3.15 in.	1	
52	3371820285	Pin housing	1	
53	3371820286	Spring	1	
54	3371820287	Lock pin	1	
55	3371820756	Split ring	1	
56	3371820757	Roll pin, 8 x 20 mm, 0.31 x 0.79 in.	1	
57	3371814724	Screw	2	
58	3371816700	Hexagon head bolt	1	
59	3371816702	Nut	1	
60	3371821136	Washer	1	B
61	3371821135	Spring	1	C
62	3371820288	Handle	2	
63	3371814728	Screw, M10 x 20 mm	2	
64	3377100010	Washer ø10	4	
65	3371820294	Lifting bracket	1	
66	3371817721	Screw - 60	2	
67	3371821043	On/off valve	1	
68	--	On/off valve	1	
69	3377000432	Adaptor 08-06	4	
70	3377016375	Seal ring 3/8"	4	

Refer to Parts Online for the most up to date information. The printed information might be outdated.

Wed Feb 19 08:58:08 UTC 2020

This page intentionally left blank

Item	Part No.	Name	Qty	L
71	3371805714	Seal ring 1/2"	2	
72	3371805133	Quick release coupling ½" Flat-face Female	1	D
73	3371805134	Quick release coupling ½" Flat-face Male	1	E
74	3371805732	Protective cap For ½" male QRC	1	F
75	3371805733	Protective cap 1/2" female	1	G
78	3371803068	Tail hose, 1.8 mm , 0.07 in.	2	
79	3371820731	Roll pin, 6 x 30 mm, 0.24 x 1.18 in.	2	
80	3371820704	O-ring Ø1.18 x 0.08 in. Ø 30 x 2 mm	1	
81	3371814723	Screw	4	
82	-	Data plate (Not available separately)	1	

Comments for Page: LPD-RV

LOCTITE is a registered trademark of Henkel Corporation. 245 are trademarks of Henkel Corporation.

(L)OCAL REMARKS

A | Constant activated

B | From serial no. 253108 -

C | From serial no. 253108 -

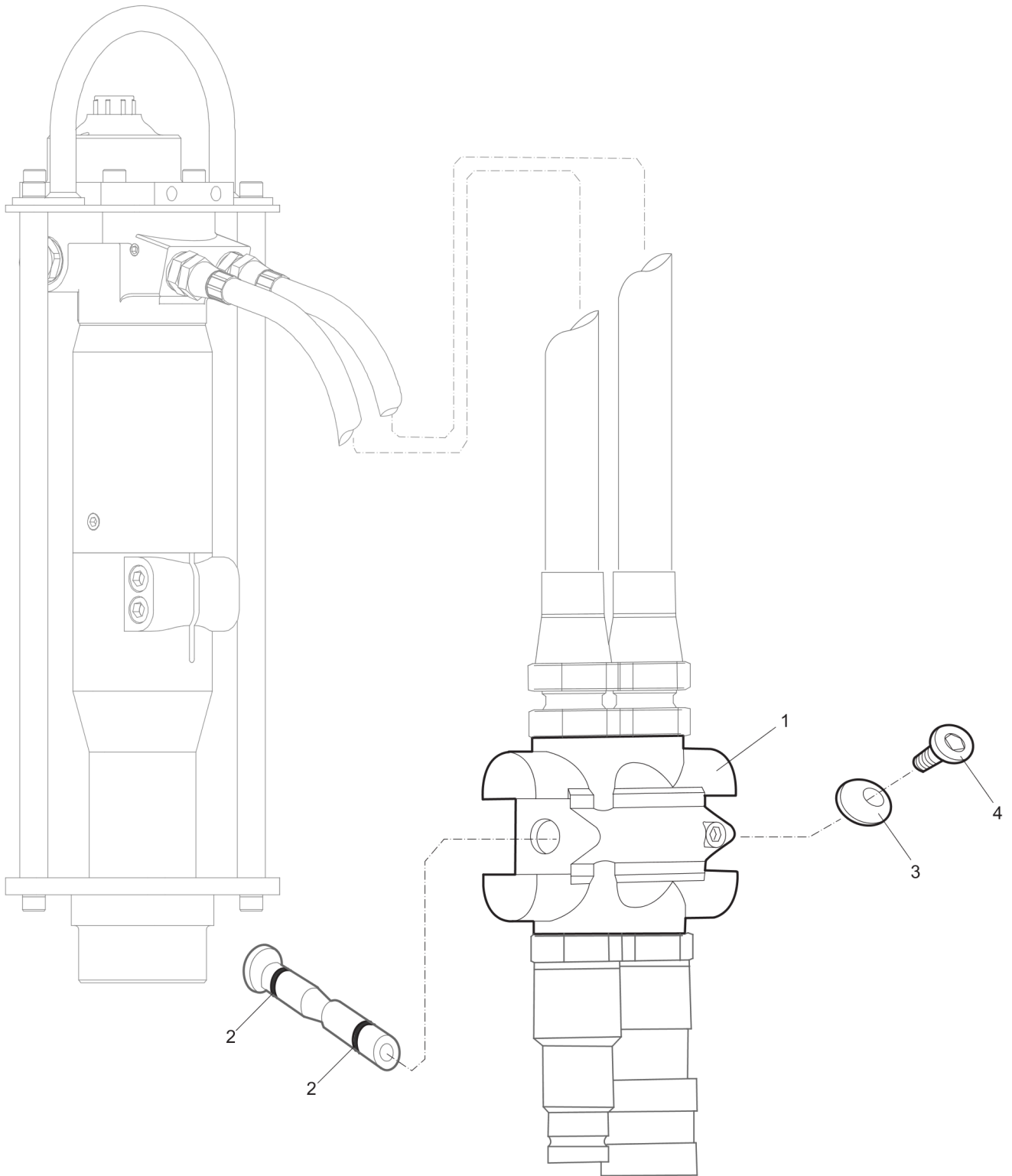
D | Female

E | Male

F | Male, for QRC

G | Female, for QRC

Spare parts list Remote valve



Refer to Parts Online for the most up to date information. The printed information might be outdated.

Wed Feb 19 08:58:09 UTC 2020

Item	Part No.	Name	Qty	L
1	3371821043	On/off valve	1	
2	3371821706	O-ring	2	
3	3371821144	Button	2	
4	3371817764	Screw	2	

Refer to Parts Online for the most up to date information. The printed information might be outdated.

Wed Feb 19 08:58:09 UTC 2020

Tightening torque Tightening torque

NO EXPLODED VIEW
AVAILABLE
FOR THIS BOM

Item	Part No.	Name	Qty	L
1	-	LPD-T	1	
20	3371814723	Screw	-	A
88	3371814723	Screw	-	B
22	3371821134	Guide socket	-	C
23	3371820267	Spool socket	-	D
32	3371805711	Nipple	-	E
33	3371818013	Nipple, optional (T) For 25 lpm 1/2 in. BSP	-	F
34	3371818020	Nipple, optional (T) For 30 l/min at back pressure up to 10 bar	-	G
35	3371805711	Nipple	-	H
57	3371814724	Screw	-	I
66	3371817721	Screw - 60	-	J
12	-	LPD-RV	1	
81	3371814723	Screw	-	B
68	3371820302	Nipple - 40	-	
70	3371820303	Nipple - 40	-	

Refer to Parts Online for the most up to date information. The printed information might be outdated.

Wed Feb 19 08:58:09 UTC 2020

Accessories Hoses and couplings

NO EXPLODED VIEW
AVAILABLE
FOR THIS BOM

Item	Part No.	Name	Qty	L
1	3371801083	Connection hose, complete	1	
-	3371803050	Hose	2	
-	3371805714	Seal ring 1/2"	2	
-	3371805133	Quick release coupling 1/2" Flat-face Female	1	
-	3371805134	Quick release coupling 1/2" Flat-face Male	1	
-	3371805733	Protective cap 1/2" female	1	A
-	3371805732	Protective cap For 1/2" male QRC	1	B
-	3371801087	Twin extension hose complete Incl. Fig. No. 200-207	1	
-	3371803052	Twin extension hose 7 m 1/2" BSP M – BSP M	1	
-	3371801190	Connection hose, complete Ø 1/2 in. L = 62 in.Ø 12.5 mm L = 1.6 m	1	
-	3371803064	Hose Ø 1/2 in. L = 62 in.Ø 12.5 mm L = 1.6 m	2	
-	3371802115	Label "P" Pressure side	1	G

Comments for Page: Hoses and couplings

(L)OCAL REMARKS

A | Female

B | Male

C | Female

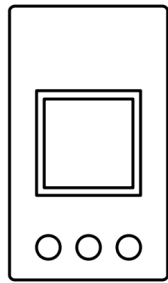
D | Male

E | Female

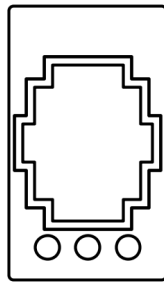
F | Male

G | Pressure side

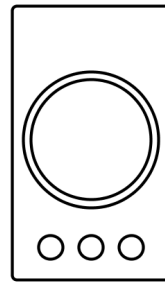
Accessories Adapters



1



2



3

Item	Part No.	Name	Qty	L
No.	Partnumber	Description - Adaptor size - Adaptor size	-	A
1	3371806032	Square - 54 mm2.13 in. - 54 mm2.13 in.	-	
2	3371806033	Universal (round/square) - 63 mm2.48 in. - 63 mm2.48 in.	-	B
3	3371806034	Round - Ø96 mmØ3.78 in. - Ø96 mmØ3.78 in.	-	

Comments for Page: Adapters

(L)OCAL REMARKS

B | Max. dimensions 102 x 70 mm

4 x 2 in.

Kits Seal kit

NO EXPLODED VIEW
AVAILABLE
FOR THIS BOM

Item	Part No.	Name	Qty	L
1	3371820090	Sealkit	1	
-	3371814709	Seal ring	1	
-	3371820702	O-ring Ø 0.94 x 0.06 in. Ø 24 x 1.5 mm	1	
-	3371820703	O-ring Ø 0.71 x 0.08 in. Ø 18 x 2 mm	4	
-	3371820704	O-ring Ø1.18 x 0.08 in. Ø 30 x 2 mm	1	
-	3371820705	O-ring Ø 1.26 x 0.08 in. Ø 32 x 2 mm	1	
-	3371820762	O-ring Ø 0.99 x 0.07 in. Ø 25.1 x 1.8 mm	1	
-	3371820740	Locking ring	1	
-	3371820176	Seal Ø 1.26 x 1.57 x 0.24 in. Ø 32 x 40 x 6 mm	1	
-	3371820708	Wiper Ø 1.26 x 1.77 x 0.28 x 0.39 in. Ø 32 x 45 x 7 x 10 mm	1	
-	3371805714	Seal ring 1/2"	2	
-	3371814732	Circlip	2	
-	3371820700	Shim PS 0.31 x 0.55 x 0.02 in. PS 8 x 14 x 0.5 mm	1	
-	3371814700	O-ring Ø 0.33 x 0.09 in. Ø 8.3 x 2.4 mm	1	
-	3371814702	O-ring Ø 0.64 x 0.09 in. Ø 16.3 x 2.4 mm	1	
-	3371805503	Seal Ø 0.71 x 0.55 x 0.14 x 0.20 in. Ø 18 x 14 x 3.5 x 5 mm	1	
-	3371814701	Back-up ring	1	
-	3371814712	Circlip	1	
-	3371817757	O-ring Ø 0.24 x 0.08 in. Ø 6 x 2 mm	1	
-	3376100084	O-ring Ø 0.31 x 0.08 in. Ø 8 x 2 mm	1	
-	3371820718	Seal ring	1	
-	3371820725	O-ring Ø 3.23 x 0.06 in. Ø 82 x 1.5 mm	1	
-	3371820726	O-ring Ø 0.63 x 0.06 in. Ø 16 x 1.5 mm	1	
-	3371814749	O-ring Ø 0.51 x 0.06 in. Ø 13 x 1.5 mm	2	
-	3371820167	Back-up washer Ø 1.29 x 1.77 x 0.10 in. Ø 32.7 x 45 x 2.5 mm	1	
-	3371820727	Locking ring	1	

Kits Label kit

NO EXPLODED VIEW
AVAILABLE
FOR THIS BOM

Item	Part No.	Name	Qty	L
1	3371821256	Label kit	1	
-	3371896061	Safety label	1	
-	3371896062	Pressure charge "N2"	1	A
-	3371896097	Product label	1	B
-	3371897082	Product label	1	C
-	3371897083	Product label	1	D

Comments for Page: Label kit

(L)OCAL REMARKS

A | N2

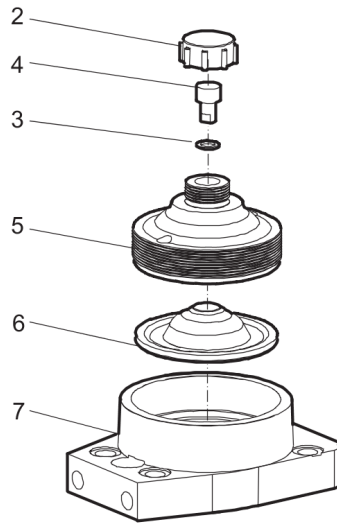
B | "Atlas Copco"

C | "LPD-T"

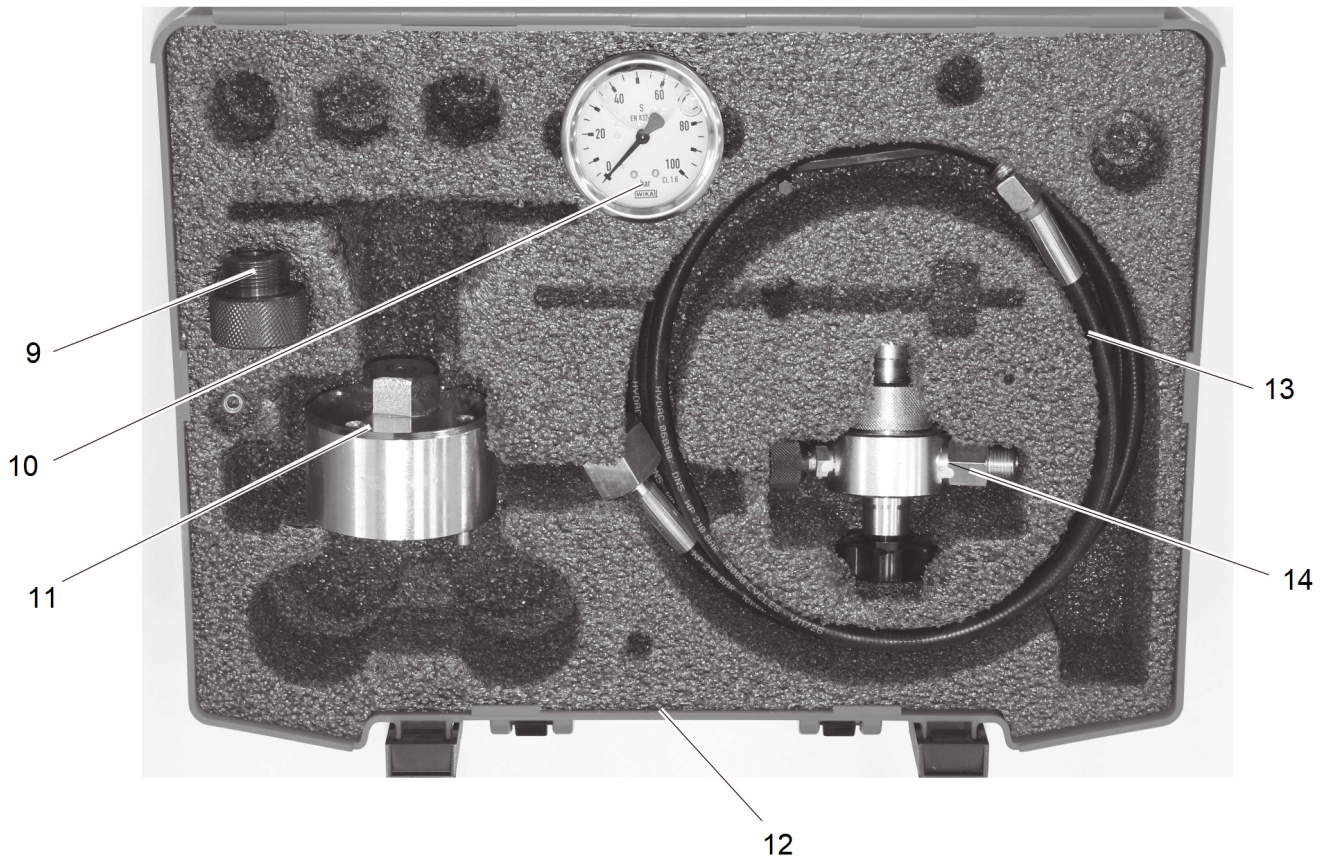
D | "LPD-RV"

Kits Accumulator kit

			1			
2	3	4	5	6	7	



			8			
9	10	11	12	13	14	



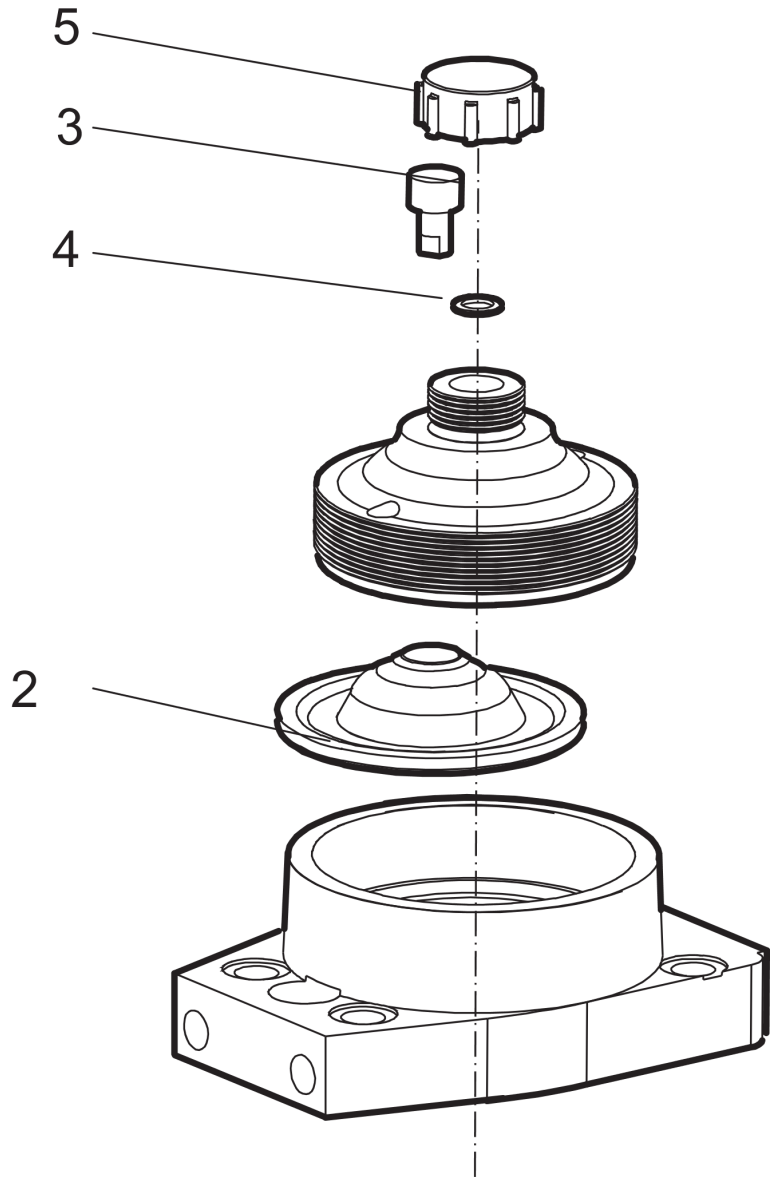
Refer to Parts Online for the most up to date information. The printed information might be outdated.

Wed Feb 19 08:58:12 UTC 2020

Item	Part No.	Name	Qty	L
1	3371814051	Accumulator kit	1	
2	3376117071	Protective cap	1	
3	3371814709	Seal ring	1	
4	3371813103	Charging screw	1	
5	3371814102	Accumulator cover	1	
6	3371814052	Diaphragm	1	
7	3371814104	Accumulator body	1	
8	3371801155	Filling device kit	1	
9	3371807780	Adapter	1	
10	-	Manometer	1	
11	3371807760	Tool for accumulator	1	
12	-	Suitcase	1	
13	3371807779	Charging hose	1	
14	3371807778	Charging device	1	
Not Shown	-	Adapters	1	

Kits 3310101845_Accumulator repair kit

1				
2	3	4	5	



Item	Part No.	Name	Qty	L
1	3310101845	Accumulator repair kit	1	
2	3371814052	Diaphragm	1	
3	3371813103	Charging screw	1	
4	3371814709	Seal ring	1	
5	3376117071	Protective cap	1	

Refer to Parts Online for the most up to date information. The printed information might be outdated.

Wed Feb 19 08:58:13 UTC 2020

AUTORYZOWANY PARTNER:

TECHBUD

SILNIKI • MASZINY BUDOWLANE • DROGOWE • AGREGATY

Techbud Sp. z o.o.
ul. Gorzowska 12
65-127 Zielona Góra

tel. +48 68 470 72 50
fax +48 68 470 72 51
www.techbud.eu
techbud@techbud.eu

Any unauthorized use or copying of the contents or any part thereof is prohibited.
This applies in particular to trademarks, model denominations, part numbers, and
drawings.

Atlas Copco

www.atlascopco.com