

LH 11



Spare Parts List Handheld hydraulic breakers

LH 11



TECHBUD



General information

This spare parts list applies to the following:

Part number	Description
1801174118	LH 11

Use only authorized parts. Any damage or malfunction caused by the use of unauthorized parts is not covered by Warranty or Product Liability. Any unauthorized use or copying of the contents or any part thereof is prohibited. This applies in particular to trademarks, model denominations, part numbers, and drawings.

Instructions for use

This spare parts list contains no safety regulations and is merely intended to assist in the ordering of spare parts.

For information about operating, servicing, or repairing, the relevant Safety and operating instructions must be consulted at all costs.

Please observe the safety instructions listed in the relevant Safety and operating instructions!

General information

This spare parts list applies to the following:

Part number	Description
1801 1741 18	LH 11

Use only authorized parts. Any damage or malfunction caused by the use of unauthorized parts is not covered by Warranty or Product Liability. Any unauthorized use or copying of the contents or any part thereof is prohibited. This applies in particular to trademarks, model denominations, part numbers, and drawings.

Instructions for use

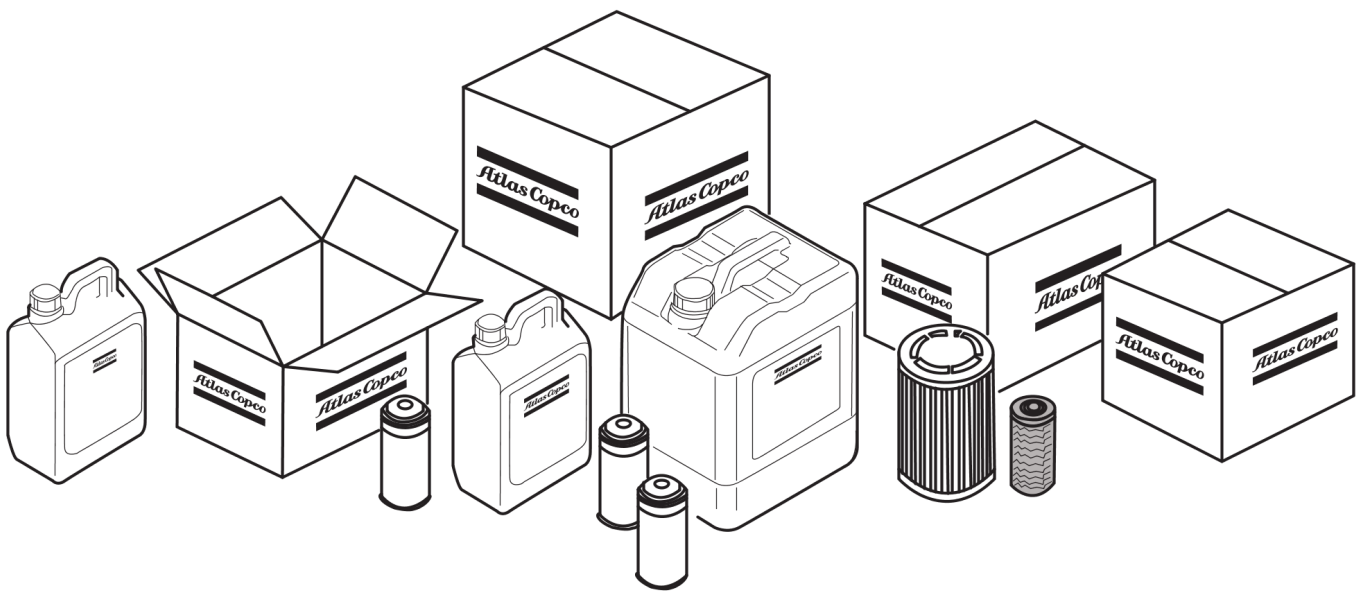
This spare parts list contains no safety regulations and is merely intended to assist in the ordering of spare parts.

For information about operating, servicing, or repairing, the relevant Safety and operating instructions must be consulted at all costs.

Please observe the safety instructions listed in the relevant Safety and operating instructions!

Kits/Consumables LH 11	1
Spare parts list	
LH 11	3
D-handle	8
Tightening torque	
Tightening torque	11
Working tools	
ISO standard hexagon 22 x 82.5 mm	13
Accessories	
Hoses and couplings	16
Kits	
Label kit	19
Seal kit	21
Trigger valve kit	23
Accumulator kit	25
3310101845_Accumulator repair kit	27

Kits/Consumables LH 11



Refer to Parts Online for the most up to date information. The printed information might be outdated.

Thu Feb 13 12:55:42 UTC 2020

Item	Part No.	Name	Qty	L
1	3371821094	Label kit	1	
2	3371814057	Seal kit	1	
3	3371814058	Trigger valve kit	1	
4	3371814068	Accumulator kit	1	
5	-	ISO standard hexagon 22 x 82.5 mm	1	

Refer to Parts Online for the most up to date information. The printed information might be outdated.

Thu Feb 13 12:55:42 UTC 2020

Item	Part No.	Name	Qty	L
1	3371814163	Spring	1	
2	3371814752	Washer	1	
3	3371805503	Seal Ø 0.71 x 0.55 x 0.14 x 0.20 in. Ø 18 x 14 x 3.5 x 5 mm	1	
4	3371814120	Packing gland	1	
5	3371814700	O-ring Ø 0.33 x 0.09 in. Ø 8.3 x 2.4 mm	1	
6	3371814702	O-ring Ø 0.64 x 0.09 in. Ø 16.3 x 2.4 mm	1	
7	3371814701	Back-up ring	1	
8	3371814712	Circlip	1	
9	3371820071	Trigger spool with rod	1	
10	3371814116	Guide socket T	1	
11	3371814115	Auxiliary spool T	1	
12	3371814723	Screw	4	
13	3371805714	Seal ring 1/2"	2	
14	3371813709	Protective cap 1/2 in. BSP	2	
15	3371805711	Nipple	2	
16	3371814112	Spool	1	
17	3371814703	O-ring Ø 0.95 x 0.12 in. Ø 24.2 x 3 mm	2	
18	3371814113	Auxiliary spool P	1	
19	3371814710	O-ring Ø 1.30 x 0.08 in. Ø 33 x 2 mm	2	
20	3371814114	Guide socket P	1	
21	3376117071	Protective cap	1	
22	3371814709	Seal ring	1	
23	3371813103	Charging screw	1	
24	3371814066	Part Description Not Available	1	
25	3371814052	Diaphragm	1	
26	3371814067	Accumulator body	1	
27	3371815720	Screw	3	
28	3371814063	Valve housing	1	A
29	3371815738	Lock ring	1	
30	3371814064	Cylinder, complete	1	
31	--	Cylinder	1	
32	3371814733	Fitting	4	
33	3371814172	Seal	1	
34	3371814707	Wiper	1	
35	3371814125	Piston	1	

Refer to Parts Online for the most up to date information. The printed information might be outdated.

Thu Feb 13 12:55:42 UTC 2020

This page intentionally left blank

Item	Part No.	Name	Qty	L
36	3371814069	Nose part, complete	1	
37	3371815720	Screw	2	
38	--	Nose part, Hexagon 7/8 in., Hexagon 22 mm	1	
39	3371814140	Bushing	1	
40	3371802075	Spring	1	
41	3371802073	Lock pin	1	
42	3371815122	O-ring Ø 0.87 x 0.06 in.Ø 22 x 1.5 mm	1	
43	3371815730	Roll pin Ø 0.63 x 1.97 in.Ø 16 x 50 mm	1	
44	3371821708	O-ring Ø 2.72 x 0.06 in.Ø 69 x 1.5 mm	1	
45	3371815731	Roll pin Ø 0.39 x 1.97 in.Ø 10 x 50 mm	1	
46	3372005012	Roll pin	1	
47	3371815735	Back-up washer	3	
48	3371814169	Lock pin	1	
49	3371814754	Circlip	1	
50	3371814748	O-ring Ø 0.98 x 0.06 in.Ø 25 x 1.5 mm	1	
51	3371814749	O-ring Ø 0.51 x 0.06 in. Ø 13 x 1.5 mm	1	
52	3371820706	O-ring Ø 0.87 x 0.06 in.Ø 22 x 1.5 mm	2	
53	3371814750	O-ring Ø 0.47 x 0.06 in.Ø 12 x 1.5 mm	2	
54	3371814751	O-ring Ø 2.72 x 0.06 in.Ø 69 x 1.5 mm	1	
55	3371814181	Circlip	1	
56	3371820736	Lock ring Ø 2.24 x 0.08 in.Ø 57 x 2 mm	1	
57	-	Data plate (Not available separately)	1	
58	3371801040	Front handle, complete	1	B
59	3371814187	Sector	2	
60	3371815722	Screw M10x20	2	
61	3371814741	Screw, M10 x 70 mm	1	
62	3371806702	Nut M10	1	
63	3371814743	Washer	3	
64	3371822107	Handle	1	
65	3371822108	Rubber handle	1	
66	3371814173	Bow	1	
67	3377104010	Washer 3/8x35	2	

Comments for Page: LH 11

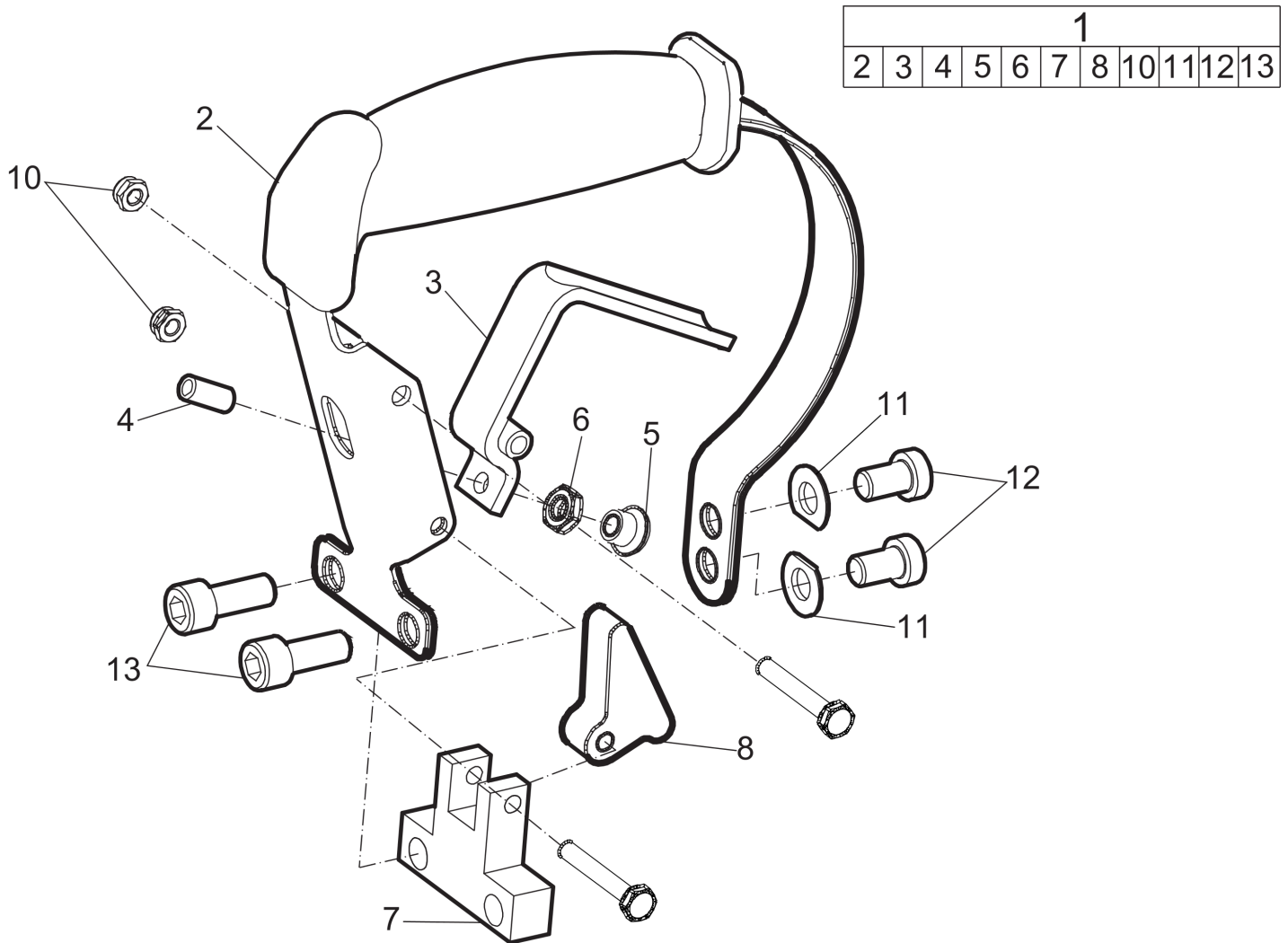
(L)OCAL REMARKS

A | Plugged

B | Optional

This page intentionally left blank

Spare parts list D-handle



Refer to Parts Online for the most up to date information. The printed information might be outdated.

Thu Feb 13 12:55:43 UTC 2020

Item	Part No.	Name	Qty	L
1	3371814062	D-handle, complete	1	
2	--	D-handle	1	
3	3371822002	Trigger lever	1	
4	3377122008	Screw M8x30	1	
5	3371822105	Thrust pad	1	
6	3371820722	Nut M8	1	
7	3371822104	Backstop	1	
8	3371820131	Trigger pawl	1	
10	3371814716	Nut M6	2	
11	3371814134	Washer DIN 125	2	A
12	3371814721	Screw, M10 x 16 mm	2	
13	3376100001	Screw, M10 x 25 mm	2	

Comments for Page: D-handle

(L)OCAL REMARKS

A | DIN 125

Tightening torque Tightening torque

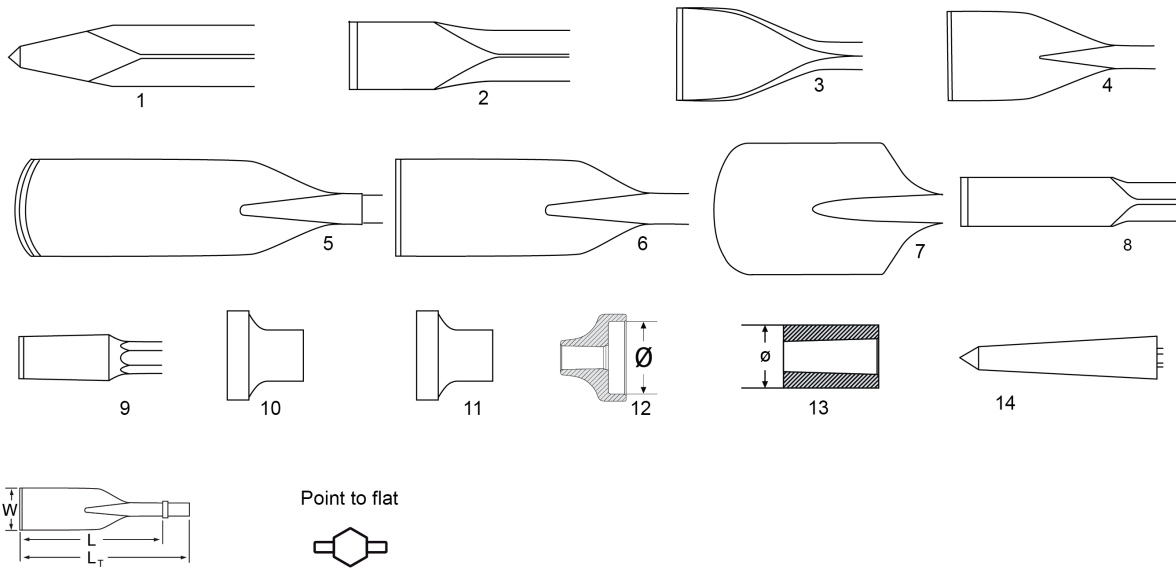
NO EXPLODED VIEW
AVAILABLE
FOR THIS BOM

Item	Part No.	Name	Qty	L
-	3371814116	Guide socket T	-	A
-	3371814723	Screw	-	B
-	3371805711	Nipple	-	C
-	3371814114	Guide socket P	-	D
-	3371815720	Screw	-	E
-	3371814140	Bushing	-	G
-	3377122008	Screw M8x30	-	H

Refer to Parts Online for the most up to date information. The printed information might be outdated.

Thu Feb 13 12:55:44 UTC 2020

Working tools ISO standard hexagon 22 x 82.5 mm



Item	Part No.	Name	Qty	L
1	3083324200	Moil point	1	A
1	3083324300	Moil point	1	B
2	3083324400	Narrow chisel	1	C
2	3083324500	Narrow chisel	1	D
3	3083324600	Wide chisel	1	E
4	3083306900	Asphalt cutter	1	F
5	3083324700	Digging chisel	1	G
6	3083324800	Digging spade	1	H
7	3083324900	Clay spade	1	I
8	3083325000	Frost wedge	1	J
9	3083325100	Shaft for tamping pad	1	K
10	3083325210	Tamping pad, round	1	L
11	3083323901	Tamping pad, square	1	M
12	3317806012	Driver pad, round	1	N
12	9245281790	Driver pad, round	1	O
14	9245282230	Posthole pad	1	P

Comments for Page: ISO standard hexagon 22 x 82.5 mm

(L)OCAL REMARKS

A | W= - L=380 mm, Lt=475 mm, Wt=1.6 kg

B | W= - L=1000 mm, Lt=1095 mm, Wt=3.6 kg

C | W= - L=380 mm, Lt=475 mm, Wt=1.6 kg

D | W= - L=1000 mm, Lt=1095 mm, Wt=3.6 kg

E | W=75 L=380 mm, Lt=475 mm, Wt=2.2 kg

F | W=125 L=380 mm, Lt=475 mm, Wt=3.0 kg

G | W=75 L=450 mm, Lt=545 mm, Wt=3.3 kg

H | W=120 L=400 mm, Lt=495 mm, Wt=3.8 kg

I | W= 125 L=430 mm, Lt=525 mm, Wt=3.7 kg

J | W=35 L= 380 mm, Lt=475 mm, Wt=2.3 kg

K | W= - L= 310 mm, Lt= 405 mm, Wt= 1.7 kg

L | W= Ø175 L=- mm, Lt=- mm, Wt=7.6 kg

M | W= 175 L= - mm, Lt= - mm, Wt=6.1 kg

N | W=Ø65 L= - mm, Lt= - mm, Wt=1.9 kg

O | W=Ø100 L= - mm, Lt= - mm, Wt=2.6 kg

P | W=40 L= - mm, Lt= - mm, Wt=2.7 kg

Refer to Parts Online for the most up to date information. The printed information might be outdated.

Thu Feb 13 12:55:45 UTC 2020

This page intentionally left blank

Accessories Hoses and couplings

NO EXPLODED VIEW
AVAILABLE
FOR THIS BOM

Item	Part No.	Name	Qty	L
1	3371801189	Connection hose, complete Ø 3/8 in. L = 63 in. Ø 9.5 mm L = 1.6 m	1	
-	3371803075	Hose Ø 3/8 in. L = 63 in. Ø 9.5 mm L = 1.6 m	2	
-	3371805714	Seal ring 1/2"	2	
-	3371805133	Quick release coupling 1/2" Flat-face Female	1	
-	3371805134	Quick release coupling 1/2" Flat-face Male	1	
-	3371805733	Protective cap 1/2" female	1	A
-	3371805732	Protective cap For 1/2" male QRC	1	B
-	3371801087	Twin extension hose complete Incl. Fig. No. 200-207	1	
-	3371803052	Twin extension hose 7 m 1/2" BSP M – BSP M	1	

Comments for Page: Hoses and couplings

(L)OCAL REMARKS

A | Female

B | Male

C | Female

D | Male

Kits Label kit

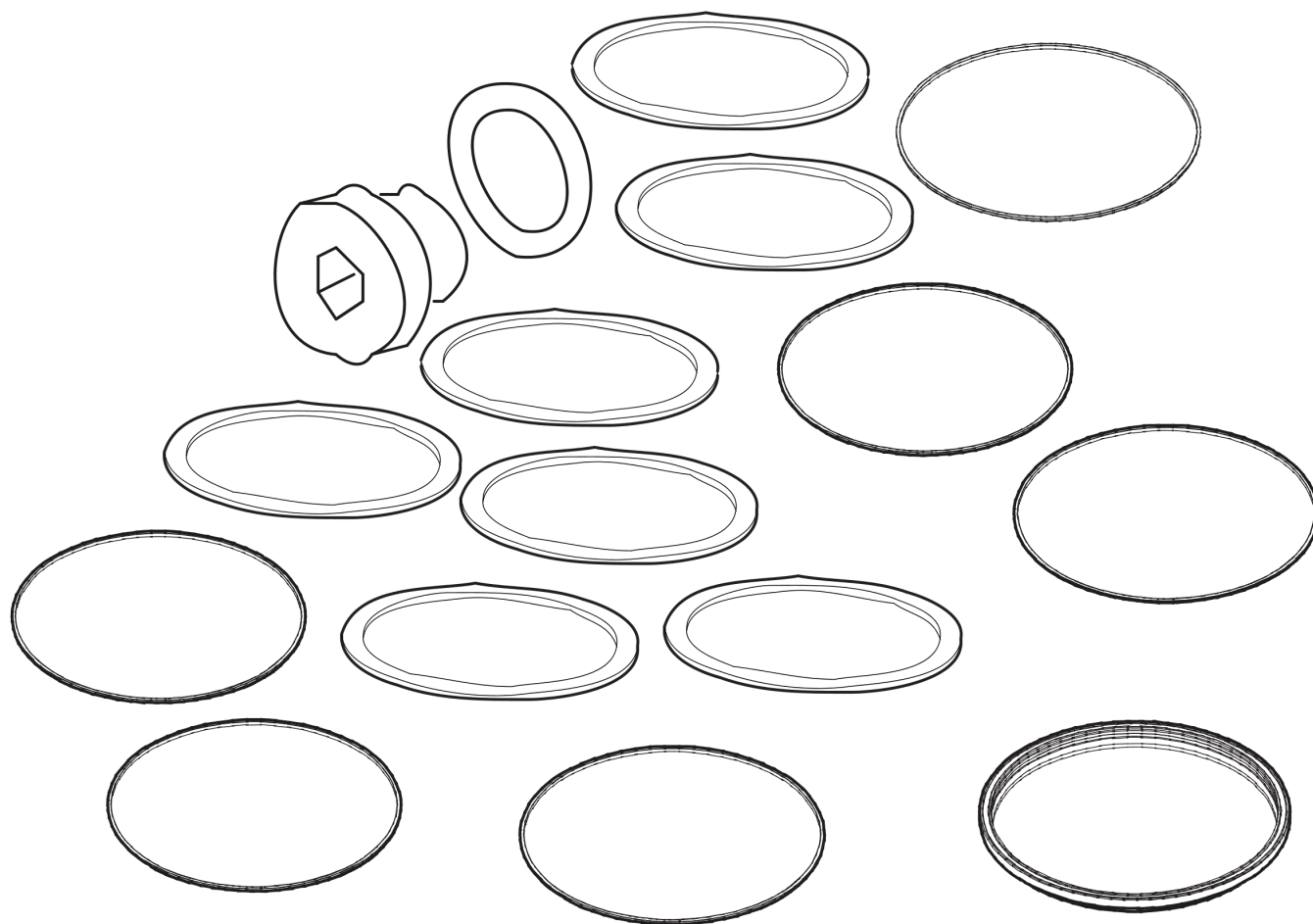
NO EXPLODED VIEW
AVAILABLE
FOR THIS BOM

Item	Part No.	Name	Qty	L
1	3371821094	Label kit	1	
Not Shown	-	Shank size, "Shank size 22 x 82.5"	1	
Not Shown	-	Product label	1	A
-	3371896061	Safety label	1	
Not Shown	-	Product label	1	B
Not Shown	-	Noise level label	1	
Not Shown	-	EHTMA Category C	1	C
Not Shown	-	Pressure charge	1	

Refer to Parts Online for the most up to date information. The printed information might be outdated.

Thu Feb 13 12:55:46 UTC 2020

Kits Seal kit

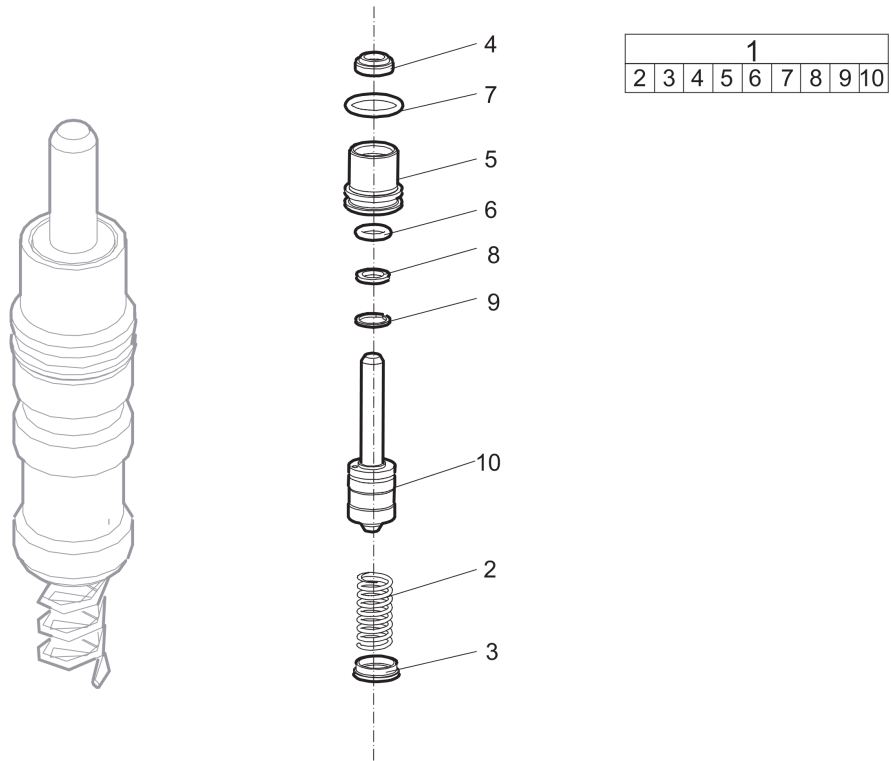


Item	Part No.	Name	Qty	L
1	3371814057	Seal kit	1	
-	3371805503	Seal Ø 0.71 x 0.55 x 0.14 x 0.20 in. Ø 18 x 14 x 3.5 x 5 mm	1	
-	3371814700	O-ring Ø 0.33 x 0.09 in. Ø 8.3 x 2.4 mm	1	
-	3371814702	O-ring Ø 0.64 x 0.09 in. Ø 16.3 x 2.4 mm	1	
-	3371814701	Back-up ring	1	
-	3371814712	Circlip	1	
-	3371805714	Seal ring 1/2"	2	
-	3371814703	O-ring Ø 0.95 x 0.12 in.Ø 24.2 x 3 mm	2	
-	3371814710	O-ring Ø 1.30 x 0.08 in.Ø 33 x 2 mm	2	
-	3371814709	Seal ring	1	
-	3371815738	Lock ring	1	
-	3371814754	Circlip	1	
-	3371814748	O-ring Ø 0.98 x 0.06 in.Ø 25 x 1.5 mm	1	
-	3371814749	O-ring Ø 0.51 x 0.06 in. Ø 13 x 1.5 mm	1	
-	3371820706	O-ring Ø 0.87 x 0.06 in.Ø 22 x 1.5 mm	2	
-	3371814750	O-ring Ø 0.47 x 0.06 in.Ø 12 x 1.5 mm	2	
-	3371814751	O-ring Ø 2.72 x 0.06 in.Ø 69 x 1.5 mm	1	

Refer to Parts Online for the most up to date information. The printed information might be outdated.

Thu Feb 13 12:55:46 UTC 2020

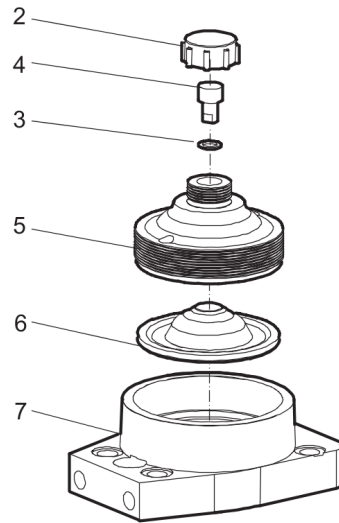
Kits Trigger valve kit



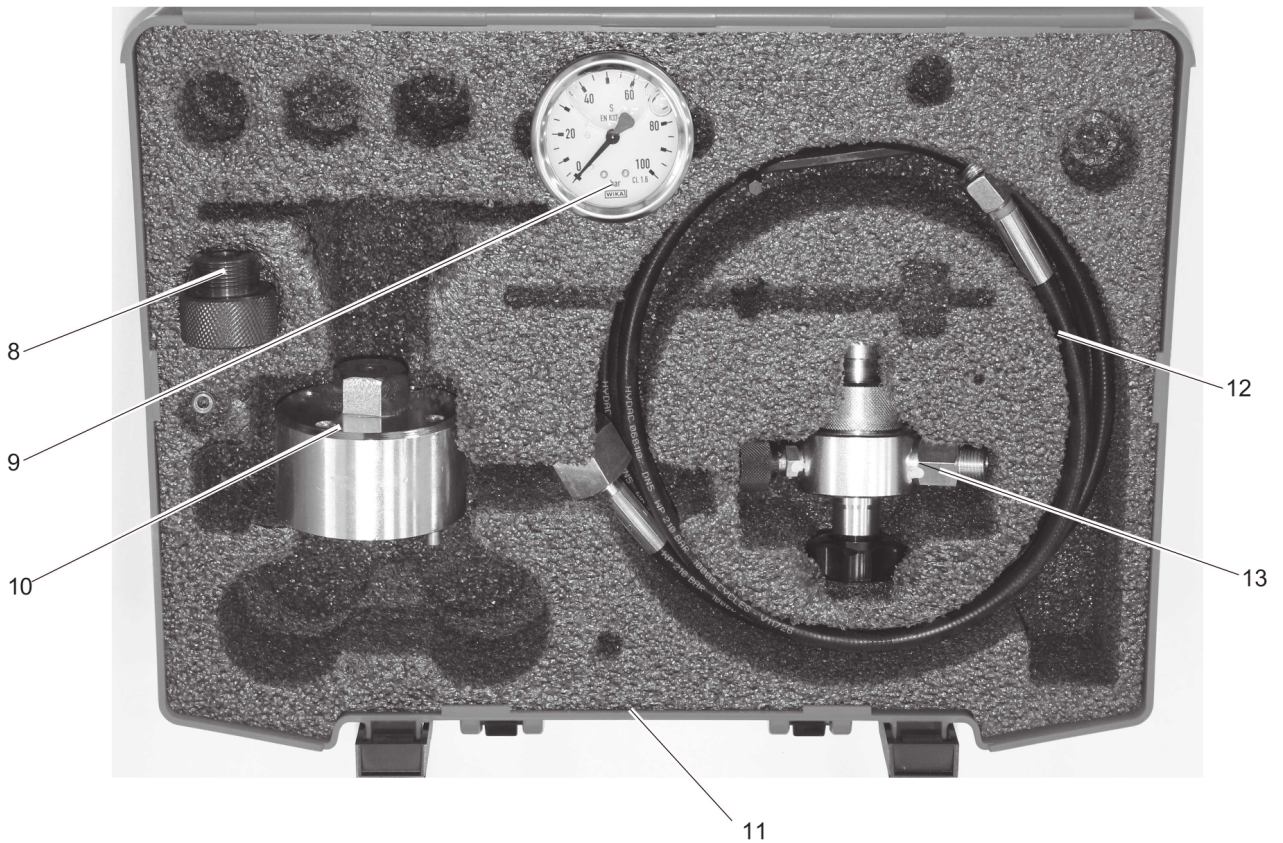
Item	Part No.	Name	Qty	L
1	3371814058	Trigger valve kit	1	
2	3371814163	Spring	1	
3	3371814752	Washer	1	
4	3371805503	Seal Ø 0.71 x 0.55 x 0.14 x 0.20 in. Ø 18 x 14 x 3.5 x 5 mm	1	
5	3371814120	Packing gland	1	
6	3371814700	O-ring Ø 0.33 x 0.09 in. Ø 8.3 x 2.4 mm	1	
7	3371814702	O-ring Ø 0.64 x 0.09 in. Ø 16.3 x 2.4 mm	1	
8	3371814701	Back-up ring	1	
9	3371814712	Circlip	1	
10	3371820071	Trigger spool with rod	1	

Kits Accumulator kit

			1			
2	3	4	5	6	7	



			8			
9	10	11	12	13	14	



Refer to Parts Online for the most up to date information. The printed information might be outdated.

Thu Feb 13 12:55:47 UTC 2020

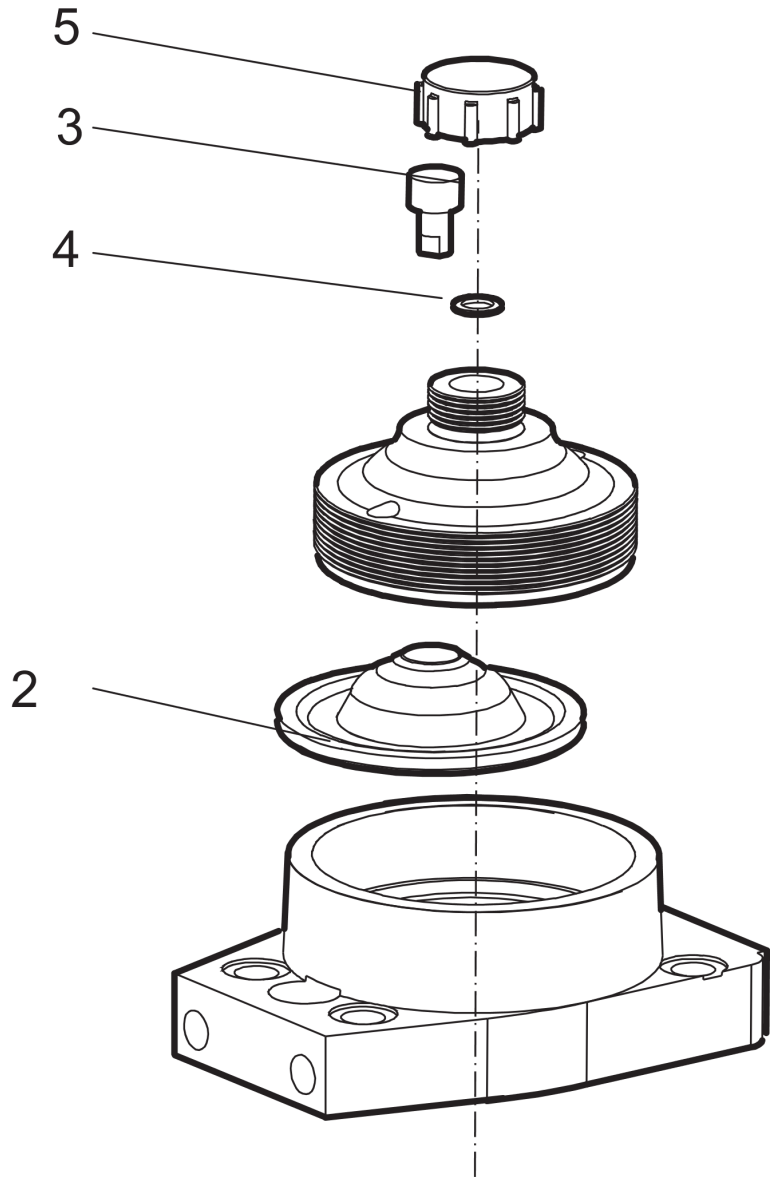
Item	Part No.	Name	Qty	L
1	3371814068	Accumulator kit	1	
2	3376117071	Protective cap	1	
3	3371814709	Seal ring	1	
4	3371813103	Charging screw	1	
5	3371814066	Part Description Not Available	1	
6	3371814052	Diaphragm	1	
7	3371814067	Accumulator body	1	
8	3371801155	Filling device kit	1	
9	3371807780	Adapter	1	
10	-	Manometer	1	
11	3371807760	Tool for accumulator	1	
12	-	Suitcase	1	
13	3371807779	Charging hose	1	
14	3371807778	Charging device	1	
Not Shown	-	Adapters	1	

Refer to Parts Online for the most up to date information. The printed information might be outdated.

Thu Feb 13 12:55:47 UTC 2020

Kits 3310101845_Accumulator repair kit

1				
2	3	4	5	



Item	Part No.	Name	Qty	L
1	3310101845	Accumulator repair kit	1	
2	3371814052	Diaphragm	1	
3	3371813103	Charging screw	1	
4	3371814709	Seal ring	1	
5	3376117071	Protective cap	1	

Refer to Parts Online for the most up to date information. The printed information might be outdated.

Thu Feb 13 12:55:48 UTC 2020

AUTORYZOWANY PARTNER:

TECHBUD

SILNIKI • MASZYNY BUDOWLANE • DROGOWE • AGREGATY

Techbud Sp. z o.o.
ul. Gorzowska 12
65-127 Zielona Góra

tel. +48 68 470 72 50
fax +48 68 470 72 51
www.techbud.eu
techbud@techbud.eu

Any unauthorized use or copying of the contents or any part thereof is prohibited.
This applies in particular to trademarks, model denominations, part numbers, and
drawings.

Atlas Copco

www.atlascopco.com