

LH 220, 220 HBP, 230 E, 230 E HBP



Spare Parts List

Handheld hydraulic breakers

LH 220, 220 HBP, 230 E, 230 E HBP



TECHBUD



General information

This spare parts list applies to the following:

Part number	Description
1801354346	LH 220 25 x 108 mm (1 x 4 1/4 in.)
1801354347	LH 220 28 x 152 mm (1 1/8 x 6 in.)
1801354348	LH 220 28 x 160 mm (1 1/8 x 6 1/4 in.)
1801354349	LH 220 32 x 152 mm (1 1/4 x 6 in.)
1801354350	LH 220 32 x 160 mm (1 1/8 x 6 1/4 in.)
1801354687	LH 220 HBP 25 x 108 mm (1 x 4 1/4 in.)
1801354688	LH 220 HBP 28 x 152 mm (1 1/8 x 6 in.)
1801354689	LH 220 HBP 28 x 160 mm (1 1/8 x 6 1/4 in.)
1801354690	LH 220 HBP 32 x 152 mm (1 1/8 x 6 in.)
1801354691	LH 220 HBP 32 x 160 mm (1 1/4 x 6 1/4 in.)
1801354351	LH 230 E 25 x 108 mm (1 x 4 1/4 in.)
1801354352	LH 230 E 28 x 152 mm (1 1/8 x 6 in.)
1801354353	LH 230 E 28 x 160 mm (1 1/8 x 6 1/4 in.)
1801354354	LH 230 E 32 x 152 mm (1 1/4 x 6 in.)
1801354317	LH 230 E 32 x 160 mm (1 1/4 x 6 1/4 in.)
1801354692	LH 230 E HBP 25 x 108 mm (1 x 4 1/4 in.)
1801354693	LH 230 E HBP 28 x 152 mm (1 1/8 x 6 in.)
1801354694	LH 230 E HBP 28 x 160 mm (1 1/8 x 6 1/4 in.)
1801354695	LH 230 E HBP 32 x 152 mm (1 1/8 x 6 in.)
1801354696	LH 230 E HBP 32 x 160 mm (1 1/4 x 6 1/4 in.)

Use only authorized parts. Any damage or malfunction caused by the use of unauthorized parts is not covered by Warranty or Product Liability. Any unauthorized use or copying of the contents or any part thereof is prohibited. This applies in particular to trademarks, model denominations, part numbers, and drawings.

Instructions for use

This spare parts list contains no safety regulations and is merely intended to assist in the ordering of spare parts.

For information about operating, servicing, or repairing, the relevant Safety and operating instructions must be consulted at all costs.

Please observe the safety instructions listed in the relevant Safety and operating instructions!

General information

This spare parts list applies to the following:

Part number	Description
1801354346	LH 220 25 x 108 mm (1 x 4 1/4 in.)
1801354347	LH 220 28 x 152 mm (1 1/8 x 6 in.)
1801354348	LH 220 28 x 160 mm (1 1/8 x 6 1/4 in.)
1801354349	LH 220 32 x 152 mm (1 1/4 x 6 in.)
1801354350	LH 220 32 x 160 mm (1 1/8 x 6 1/4 in.)
1801354687	LH 220 HBP 25 x 108 mm (1 x 4 1/4 in.)
1801354688	LH 220 HBP 28 x 152 mm (1 1/8 x 6 in.)
1801354689	LH 220 HBP 28 x 160 mm (1 1/8 x 6 1/4 in.)
1801354690	LH 220 HBP 32 x 152 mm (1 1/8 x 6 in.)
1801354691	LH 220 HBP 32 x 160 mm (1 1/4 x 6 1/4 in.)
1801354351	LH 230 E 25 x 108 mm (1 x 4 1/4 in.)
1801354352	LH 230 E 28 x 152 mm (1 1/8 x 6 in.)
1801354353	LH 230 E 28 x 160 mm (1 1/8 x 6 1/4 in.)
1801354354	LH 230 E 32 x 152 mm (1 1/4 x 6 in.)
1801354317	LH 230 E 32 x 160 mm (1 1/4 x 6 1/4 in.)
1801354692	LH 230 E HBP 25 x 108 mm (1 x 4 1/4 in.)
1801354693	LH 230 E HBP 28 x 152 mm (1 1/8 x 6 in.)
1801354694	LH 230 E HBP 28 x 160 mm (1 1/8 x 6 1/4 in.)
1801354695	LH 230 E HBP 32 x 152 mm (1 1/8 x 6 in.)
1801354696	LH 230 E HBP 32 x 160 mm (1 1/4 x 6 1/4 in.)

Use only authorized parts. Any damage or malfunction caused by the use of unauthorized parts is not covered by Warranty or Product Liability. Any unauthorized use or copying of the contents or any part thereof is prohibited. This applies in particular to trademarks, model denominations, part numbers, and drawings.

Instructions for use

This spare parts list contains no safety regulations and is merely intended to assist in the ordering of spare parts.

For information about operating, servicing, or repairing, the relevant Safety and operating instructions must be consulted at all costs.

Please observe the safety instructions listed in the relevant Safety and operating instructions!

Spare parts list

LH 220, 230 E 1
LH 220 HBP, LH 230 E HBP 5
Nose parts 9
Handle standard 13
E-handle 15

Tightening torque

Tightening torque 19

Working tools

ISO standard hexagon 25 x 108 mm 21
ISO standard hexagon 28 x 152 mm 23
ISO standard hexagon 28 x 160 mm 26
ISO standard hexagon 32 x 152 mm 30
ISO standard hexagon 32 x 160 mm 34

Accessories

Hoses and couplings 38

Kits

Label kit 41
Seal kit 43
Trigger valve kit 45
Accumulator kit 47
3310101845_Accumulator repair kit 49

Spare parts list LH 220, 230 E

Image does not exist

Item	Part No.	Name	Qty	L
Not Shown	-	LH 220, 230 E	1	
1	3371821027	Accumulator body	1	
2	3371821026	Valve housing, complete	1	
3	--	Valve housing	1	
4	3371820115	Check valve screw	1	
5	3371820717	Ball	1	
6	3371820718	Seal ring	1	
7	3371814733	Fitting	5	
8	3371813141	Fitting	2	
9	3371821028	Cylinder, complete	1	
10	--	Cylinder	1	
11	3371814733	Fitting	1	
12	3371813141	Fitting	1	
13	3371814052	Diaphragm	1	
14	3371813103	Charging screw	1	
15	3371817720	Screw	4	
16	3371814709	Seal ring	1	
17	3371813710	Protective cap M24 x 1.5 mm	1	
18	3371814723	Screw	4	
19	3371820703	O-ring Ø 0.71 x 0.08 in. Ø 18 x 2 mm	4	
20	3371820267	Spool socket	1	
21	3371820702	O-ring Ø 0.94 x 0.06 in. Ø 24 x 1.5 mm	1	
22	3371820269	Spool	1	
23	3371820266	Guide socket	1	
24	3371820762	O-ring Ø 0.99 x 0.07 in. Ø 25.1 x 1.8 mm	1	
25	3371820704	O-ring Ø 1.18 x 0.08 in. Ø 30 x 2 mm	1	
26	3371820705	O-ring Ø 1.26 x 0.08 in. Ø 32 x 2 mm	1	
27	3371805714	Seal ring 1/2"	2	
28	3371805711	Nipple	1	
29	3371805711	Nipple	1	
30	3371818020	Nipple, optional (T) For 30 l/min at back pressure up to 10 bar	1	
31	3371820136	Trigger rod	1	
32	3371814120	Packing gland	1	
33	3371820137	Spring	1	
34	3371814700	O-ring Ø 0.33 x 0.09 in. Ø 8.3 x 2.4 mm	1	

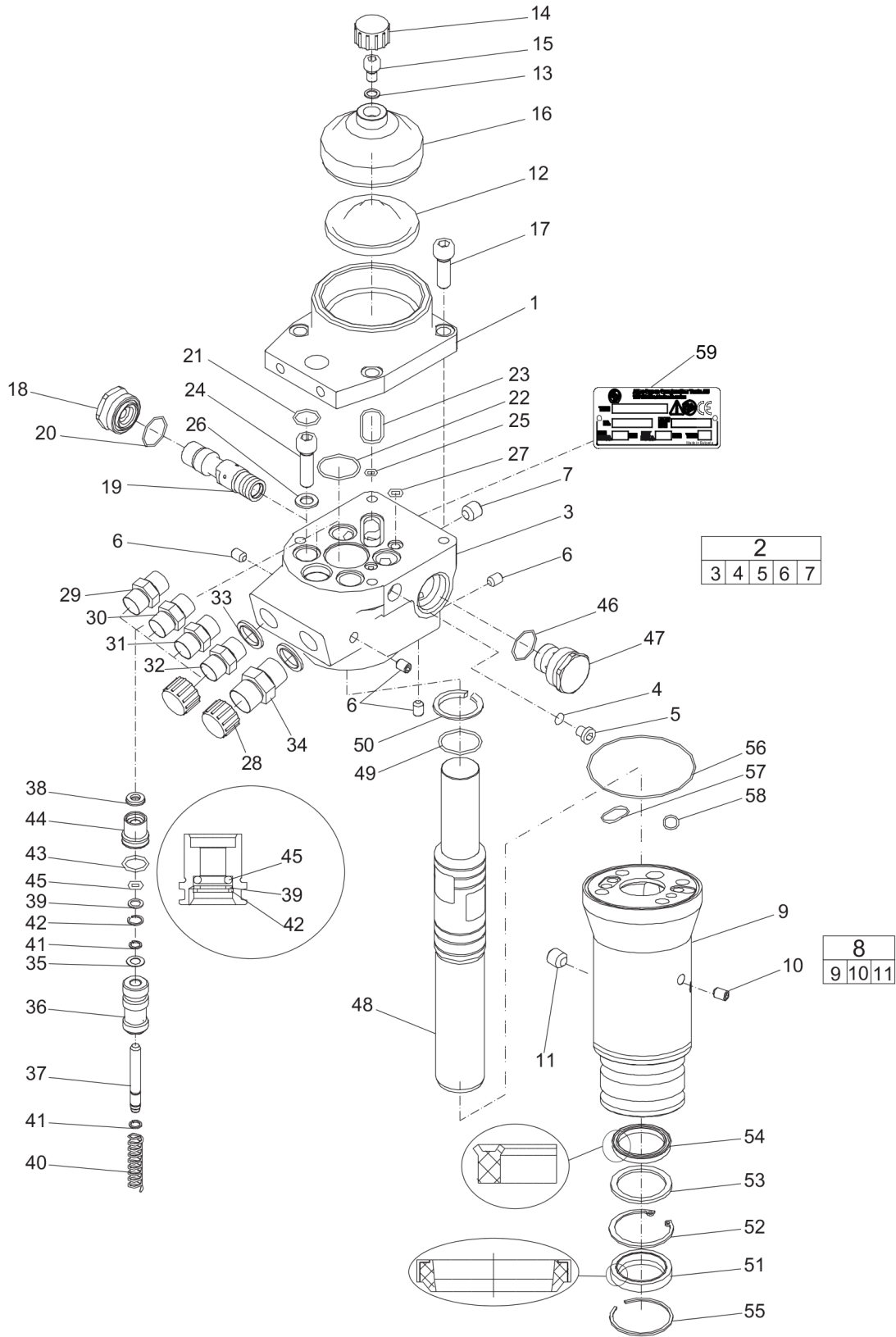
Refer to Parts Online for the most up to date information. The printed information might be outdated.

Thu Feb 13 12:56:14 UTC 2020

This page intentionally left blank

Item	Part No.	Name	Qty	L
35	3371814702	O-ring Ø 0.64 x 0.09 in. Ø 16.3 x 2.4 mm	1	
36	3371805503	Seal Ø 0.71 x 0.55 x 0.14 x 0.20 in. Ø 18 x 14 x 3.5 x 5 mm	1	
37	3371814701	Back-up ring	1	
38	3371814712	Circlip	1	
39	3371814732	Circlip	2	
40	3371820700	Shim PS 0.31 x 0.55 x 0.02 in. PS 8 x 14 x 0.5 mm	1	
41	3371820108	Trigger spool	1	
42	3371813709	Protective cap 1/2 in. BSP	2	
43	3371817757	O-ring Ø 0.24 x 0.08 in. Ø 6 x 2 mm	1	
44	3376100084	O-ring Ø 0.31 x 0.08 in. Ø 8 x 2 mm	1	
45	3371820176	Seal Ø 1.26 x 1.57 x 0.24 in. Ø 32 x 40 x 6 mm	1	
46	3371820167	Back-up washer Ø 1.29 x 1.77 x 0.10 in. Ø 32.7 x 45 x 2.5 mm	1	
47	3371820727	Locking ring	1	
48	3371820708	Wiper Ø 1.26 x 1.77 x 0.28 x 0.39 in. Ø 32 x 45 x 7 x 10 mm	1	
49	3371820740	Locking ring	1	
50	3371820725	O-ring Ø 3.23 x 0.06 in. Ø 82 x 1.5 mm	1	
51	3371820726	O-ring Ø 0.63 x 0.06 in. Ø 16 x 1.5 mm	1	
52	3371814749	O-ring Ø 0.51 x 0.06 in. Ø 13 x 1.5 mm	1	
53	3371815735	Back-up washer	4	
54	3371820107	Piston	1	
55	3371814066	Part Description Not Available	1	
56	-	Data plate (Not available separately)	1	

Spare parts list LH 220 HBP, LH 230 E HBP



Refer to Parts Online for the most up to date information. The printed information might be outdated.

Thu Feb 13 12:56:14 UTC 2020

Item	Part No.	Name	Qty	L
1	3371821027	Accumulator body	1	
2	3371821084	Valve housing, complete	1	
3	--	Valve housing	1	
4	3371821242	Air filter	1	
5	3371821241	Air vent screw	1	
6	3371814733	Fitting	5	
7	3371813141	Fitting	2	
8	3371821086	Cylinder, complete	1	
9	--	Cylinder	1	
10	3371814733	Fitting	1	
11	3371813141	Fitting	1	
12	3371814052	Diaphragm	1	
13	3371814709	Seal ring	1	
14	3371813710	Protective cap M24 x 1.5 mm	1	
15	3371813103	Charging screw	1	
16	3371814066	Part Description Not Available	1	
17	3371817720	Screw	4	
18	3371820267	Spool socket	1	
19	3371821114	Spool	1	
20	3371820702	O-ring Ø 0.94 x 0.06 in. Ø 24 x 1.5 mm	1	
21	3371820703	O-ring Ø 0.71 x 0.08 in. Ø 18 x 2 mm	4	
22	3371820704	O-ring Ø 1.18 x 0.08 in. Ø 30 x 2 mm	1	
23	3371820705	O-ring Ø 1.26 x 0.08 in. Ø 32 x 2 mm	1	
24	3371814723	Screw	4	
25	3371817757	O-ring Ø 0.24 x 0.08 in. Ø 6 x 2 mm	1	
26	3371815735	Back-up washer	4	
27	3376100084	O-ring Ø 0.31 x 0.08 in. Ø 8 x 2 mm	1	
28	3371813709	Protective cap 1/2 in. BSP	2	
29	3371818021	Nipple, optional (T) For 20 l/min at back pressure between 10 - 35 bar	1	A
30	3371818020	Nipple, optional (T) For 30 l/min at back pressure up to 10 bar	1	B
31	3371818022	Nipple, optional (T) For 20 l/min at back pressure up to 10 bar	1	C
32	3371805711	Nipple	1	D
33	3371805714	Seal ring 1/2"	2	
34	3371805711	Nipple	1	E
35	3371820700	Shim PS 0.31 x 0.55 x 0.02 in. PS 8 x 14 x 0.5 mm	1	

Refer to Parts Online for the most up to date information. The printed information might be outdated.

Thu Feb 13 12:56:14 UTC 2020

This page intentionally left blank

Item	Part No.	Name	Qty	L
36	3371820108	Trigger spool	1	
37	3371820136	Trigger rod	1	
38	3371805503	Seal Ø 0.71 x 0.55 x 0.14 x 0.20 in. Ø 18 x 14 x 3.5 x 5 mm	1	
39	3371814701	Back-up ring	1	
40	3371820137	Spring	1	
41	3371814732	Circlip	2	
42	3371814712	Circlip	1	
43	3371814702	O-ring Ø 0.64 x 0.09 in. Ø 16.3 x 2.4 mm	1	
44	3371814120	Packing gland	1	
45	3371814700	O-ring Ø 0.33 x 0.09 in. Ø 8.3 x 2.4 mm	1	
46	3371820762	O-ring Ø 0.99 x 0.07 in. Ø 25.1 x 1.8 mm	1	
47	3371821113	Guide socket HBP	1	
48	3371821216	Piston	1	
49	3371821710	O-ring Ø 1.10 x 0.12 in. Ø 28 x 3 mm	1	
50	3371821709	Back-up ring	1	
51	3371820708	Wiper Ø 1.26 x 1.77 x 0.28 x 0.39 in. Ø 32 x 45 x 7 x 10 mm	1	
52	3371820727	Locking ring	1	
53	3371820167	Back-up washer Ø 1.29 x 1.77 x 0.10 in. Ø 32.7 x 45 x 2.5 mm	1	
54	3371820176	Seal Ø 1.26 x 1.57 x 0.24 in. Ø 32 x 40 x 6 mm	1	
55	3371820740	Locking ring	1	
56	3371820725	O-ring Ø 3.23 x 0.06 in. Ø 82 x 1.5 mm	1	
57	3371820726	O-ring Ø 0.63 x 0.06 in. Ø 16 x 1.5 mm	1	
58	3371814749	O-ring Ø 0.51 x 0.06 in. Ø 13 x 1.5 mm	1	
59	-	Data plate (Not available separately)	1	

Comments for Page: LH 220 HBP, LH 230 E HBP

(L)OCAL REMARKS

A | (T) For 20 l/min at back pressure between 10 - 35 bar

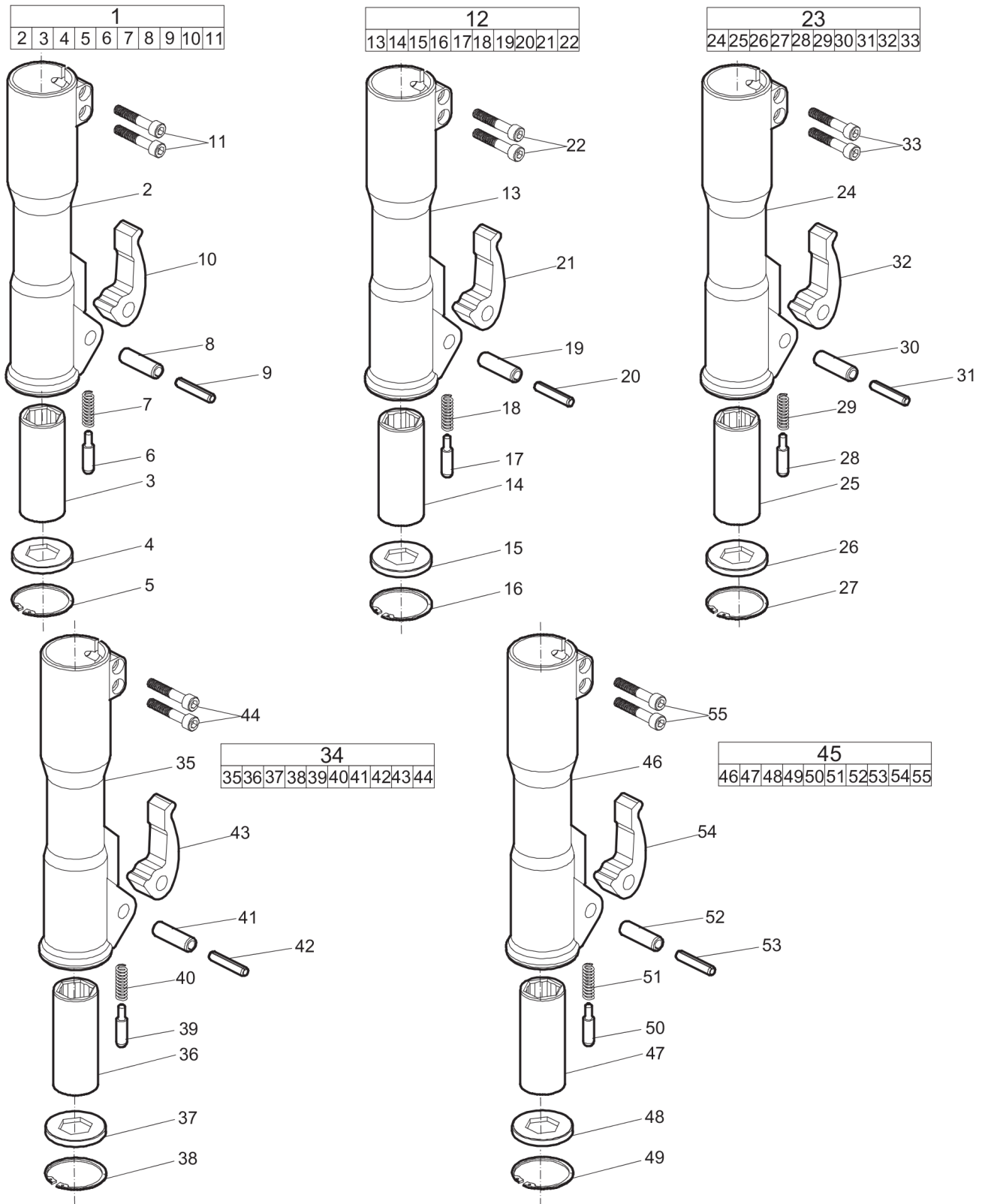
B | (T) For 30 l/min at back pressure up to 10 bar

C | (T) For 20 l/min at back pressure up to 10 bar

D | (T) For 30 l/min at back pressure between 10 - 35 bar

E | (T) For 30 l/min at back pressure between 10 - 35 bar

Spare parts list Nose parts



Refer to Parts Online for the most up to date information. The printed information might be outdated.

Thu Feb 13 12:56:16 UTC 2020

Item	Part No.	Name	Qty	L
1	3371821012	Nose part, complete	1	
2	--	Nose part, Hexagon 1 x 41/4 in., Hexagon 25 x 108 mm	1	
3	3371820191	Bushing	1	
4	3371820193	Chisel bellows	1	
5	3371820736	Lock ring Ø 2.24 x 0.08 in.Ø 57 x 2 mm	1	
6	3371802073	Lock pin	1	
7	3371802075	Spring	1	
8	3371815730	Roll pin Ø 0.63 x 1.97 in.Ø 16 x 50 mm	1	
9	0108139400	Roll pin, Ø 0.39 x 1.97 in., Ø 10 x 50 mm	1	
10	3371820145	Latch	1	
11	3371814724	Screw	2	
12	3371821013	Nose part, complete	1	
13	--	Nose part, Hexagon 11/8 x 6 in., Hexagon 28 x 152 mm	1	
14	3371820217	Bushing Hexagon 11/8 x 6 in.Hexagon 28 x 152 mm	1	
15	3371820219	Chisel bellows	1	
16	3371820737	Lock ring Ø 2.52 x 0.08 in.Ø 64 x 2 mm	1	
17	3371802073	Lock pin	1	
18	3371802075	Spring	1	
19	3371815730	Roll pin Ø 0.63 x 1.97 in.Ø 16 x 50 mm	1	
20	3371815731	Roll pin Ø 0.39 x 1.97 in.Ø 10 x 50 mm	1	
21	3371820145	Latch	1	
22	3371814724	Screw	2	
23	3371821019	Nose part, complete	1	
24	--	Nose part, Hexagon 11/8 x 61/4 in. , Hexagon 28 x 160 mm	1	
25	3371820218	Bushing	1	
26	3371820219	Chisel bellows	1	
27	3371820737	Lock ring Ø 2.52 x 0.08 in.Ø 64 x 2 mm	1	
28	3371802073	Lock pin	1	
29	3371802075	Spring	1	
30	3371815730	Roll pin Ø 0.63 x 1.97 in.Ø 16 x 50 mm	1	
31	3371815731	Roll pin Ø 0.39 x 1.97 in.Ø 10 x 50 mm	1	
32	3371820145	Latch	1	
33	3371814724	Screw	2	
34	3371821014	Nose part, complete	1	
35	--	Nose part, Hexagon 11/4 x 6 in. , Hexagon 32 x 152 mm	1	

Refer to Parts Online for the most up to date information. The printed information might be outdated.

Thu Feb 13 12:56:16 UTC 2020

This page intentionally left blank

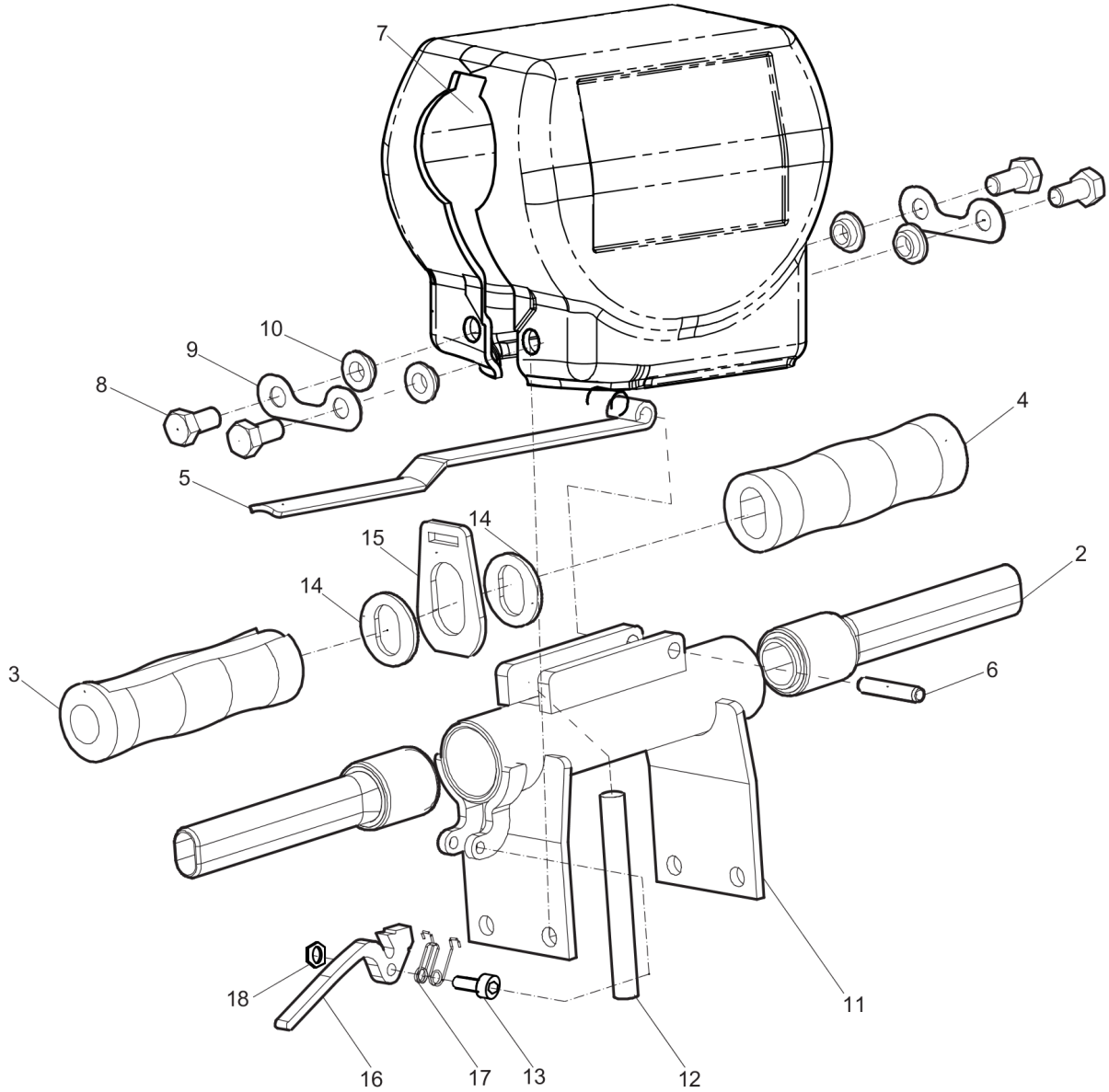
Item	Part No.	Name	Qty	L
36	3371820212	Bushing	1	
37	3371820192	Chisel bellows	1	
38	3371820737	Lock ring Ø 2.52 x 0.08 in.Ø 64 x 2 mm	1	
39	3371802073	Lock pin	1	
40	3371802075	Spring	1	
41	3371815730	Roll pin Ø 0.63 x 1.97 in.Ø 16 x 50 mm	1	
42	3371815731	Roll pin Ø 0.39 x 1.97 in.Ø 10 x 50 mm	1	
43	3371820145	Latch	1	
44	3371814724	Screw	2	
45	3371821011	Nose part, complete	1	
46	--	Nose part, Hexagon 11/4 x 61/4 in. , Hexagon 32 x 160 mm	1	
47	3371820194	Bushing	1	
48	3371820192	Chisel bellows	1	
49	3371820737	Lock ring Ø 2.52 x 0.08 in.Ø 64 x 2 mm	1	
50	3371802073	Lock pin	1	
51	3371802075	Spring	1	
52	3371815730	Roll pin Ø 0.63 x 1.97 in.Ø 16 x 50 mm	1	
53	3371815731	Roll pin Ø 0.39 x 1.97 in.Ø 10 x 50 mm	1	
54	3371820145	Latch	1	
55	3371814724	Screw	2	

Refer to Parts Online for the most up to date information. The printed information might be outdated.

Thu Feb 13 12:56:16 UTC 2020

Spare parts list Handle standard

1																	
2	3	4	5	6	7	8	9	10	11	12	13	14	15	16	17	18	



Refer to Parts Online for the most up to date information. The printed information might be outdated.

Thu Feb 13 12:56:16 UTC 2020

Item	Part No.	Name	Qty	L
1	3371821208	Handle standard, complete	1	A
2	3371820204	Handle standard	2	
3	3371820135	Rubber handle	1	
4	3371820134	Rubber handle	1	
5	3371820238	Trigger Standard	1	B
6	0108136100	Roll pin, Ø 0.31 x 1.6 in., Ø 8 x 40 mm	1	
7	3371821202	Top cover	1	
8	3371815722	Screw M10x20	4	
9	3371815131	Nab	2	
10	3371815113	Spacer	4	
11	3371820203	Bracket	1	
12	3371820207	Nylon guide	1	
13	0211125003	Screw, M6 x 30 mm	1	
14	3371820747	Washer nylon Ø 0.83 x 1.46 x 0.12 in.Ø 21 x 37 x 3 mm	2	
15	3371820237	Lock plate	1	
16	3371820236	Safety trigger	1	
17	3371820152	Spring	1	
18	0291110800	Lock nut	1	

Comments for Page: Handle standard

(L)OCAL REMARKS

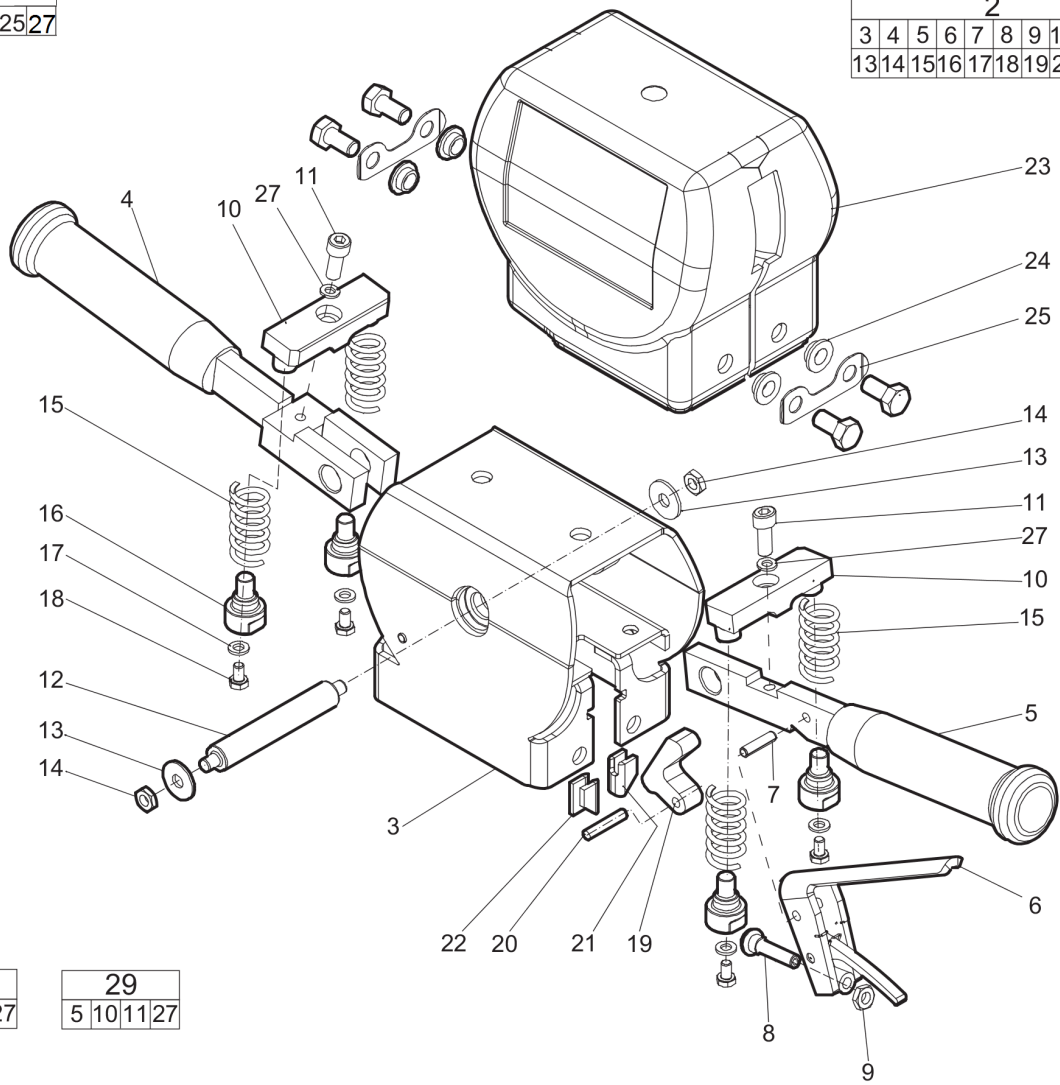
A | With plastic cover

B | Standard

Spare parts list E-handle

1				
2	23	24	25	27

2											
3	4	5	6	7	8	9	10	11	12	13	14
15	16	17	18	19	20	21	22				



28			
4	10	11	27

29			
5	10	11	27

Refer to Parts Online for the most up to date information. The printed information might be outdated.

Thu Feb 13 12:56:17 UTC 2020

Item	Part No.	Name	Qty	L
1	3371821206	E-handle, complete	1	A
2	3371821065	VR-handle, complete Without plastic cover	1	B
3	3371821205	Frame	1	
4	-	Handle	1	
5	-	Handle	1	
6	3371821200	Trigger lever	1	
7	3371820712	Roll Pin Ø 0.24 x 0.94 in.Ø 6 x 24 mm	1	
8	3371821068	Thrust pad With screw M8	1	
9	0266211000	Hexagon nut	1	
10	3371821177	Stopper	2	
11	0211124900	Screw, M6 x 25 mm	2	
12	3371821184	Pin	1	
13	0300801900	Plain washer	2	
14	3371820722	Nut M8	2	
15	3371821178	Spring	4	
16	3371821175	Spring guide	4	
17	3377000407	Washer ø6	4	
18	0147124303	Hexagon bolt	4	
19	3371821176	Trigger pawl	1	
20	3371820711	Pin Ø 0.24 x 1.18 in.Ø 6 x 30 mm	1	
21	3371820147	Pin latch right	1	
22	3371820148	Pin latch left	1	
23	3371821183	Top cover	1	
24	3371815113	Spacer	4	
25	3371815131	Nab	2	
27	3315019502	Washer	2	
28	3371821291	Handle complete (For machines before serial number BGF057000)	1	
4	-	Handle	1	
10	3371821177	Stopper	1	
11	3371805155	Screw M8x25	1	
17	3377000407	Washer ø6	1	
29	3371821290	Handle complete (For machines before serial number BGF057000)	1	
5	-	Handle	1	
10	3371821177	Stopper	1	
11	3371805155	Screw M8x25	1	

Refer to Parts Online for the most up to date information. The printed information might be outdated.

Thu Feb 13 12:56:17 UTC 2020

This page intentionally left blank

Item	Part No.	Name	Qty	L
17	3377000407	Washer ø6	1	

Comments for Page: E-handle

(L)OCAL REMARKS

A | With plastic cover

B | Without plastic cover

Tightening torque Tightening torque

NO EXPLODED VIEW
AVAILABLE
FOR THIS BOM

Item	Part No.	Name	Qty	L
-	3371817720	Screw	-	A
-	3371814723	Screw	-	B
-	3371820266	Guide socket	-	C
-	3371821113	Guide socket HBP	-	D
-	3371820267	Spool socket	-	E
-	3371805711	Nipple	-	F
-	3371814733	Fitting	-	G
-	3371813141	Fitting	-	H
-	3371820191	Bushing	-	I
-	3371814724	Screw	-	J
-	3371820218	Bushing	-	K
-	3371820212	Bushing	-	L
-	3371820194	Bushing	-	M
-	3371813103	Charging screw	-	N

Comments for Page: Tightening torque

LOCTITE is a registered trademark of Henkel Corporation. 245, 275, 648 are trademarks of Henkel Corporation.

(L)OCAL REMARKS

A | LOCTITE® 245™

B | LOCTITE® 245™

C | LOCTITE® 245™

D | LOCTITE® 245™

E | LOCTITE® 245™

F | -

G | LOCTITE® 245™

H | LOCTITE® 245™

I | LOCTITE® 648 (275)™

J | LOCTITE® 245™

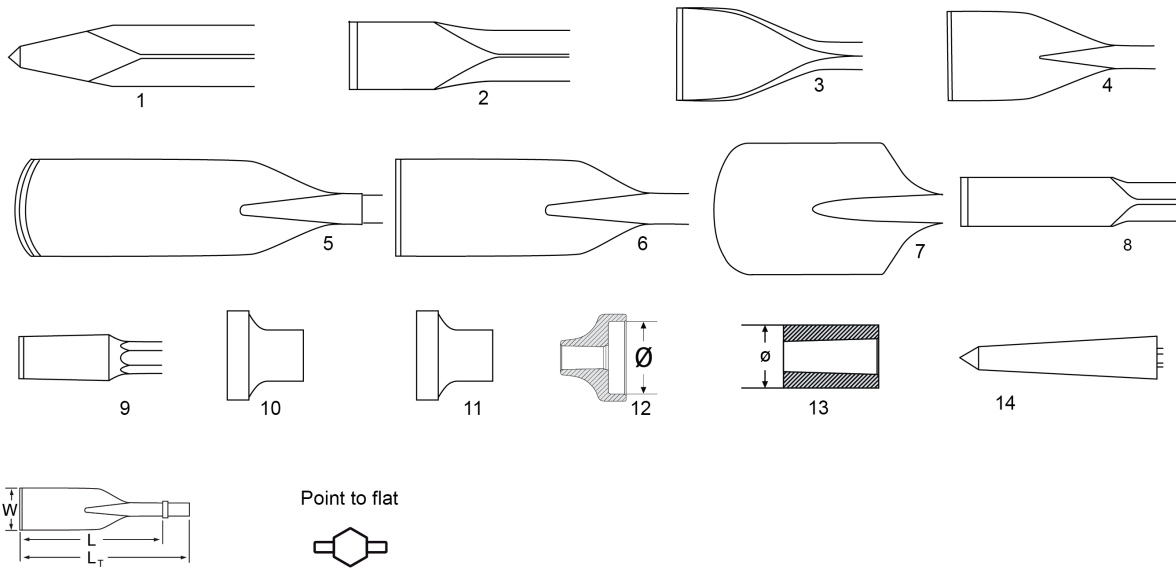
K | LOCTITE® 648 (275)™

L | LOCTITE® 648 (275)™

M | LOCTITE® 648 (275)™

N | -

Working tools ISO standard hexagon 25 x 108 mm



Item	Part No.	Name	Qty	L
1	3083325300	Moil point	1	A
2	3083325400	Narrow chisel	1	B
3	3083325500	Wide chisel	1	C
5	3083325600	Digging chisel	1	D
6	3083325700	Digging spade	1	E
7	3083303300	Clay spade	1	F
8	3083325800	Wedge chisel	1	G
9	3083325900	Shaft for tamping pad	1	H
10	3083325210	Tamping pad, round	1	I
11	3083323901	Tamping pad, square	1	J
12	9245281790	Driver pad, round	1	K
12	3371806039	Driver pad, round	1	L
14	9245282230	Posthole pad	1	M

Comments for Page: ISO standard hexagon 25 x 108 mm

(L)OCAL REMARKS

A | W= - L=380 mm, Lt=500 mm, Wt=2.0 kg

B | W= - L=380 mm, Lt=500 mm, Wt=2.1 kg

C | W= 75 L=380 mm, Lt=500 mm, Wt=2.3 kg

D | W= 75 L=380 mm, Lt=500 mm, Wt=3.1 kg

E | W=120 L=380 mm, Lt=500 mm, Wt=4.2 kg

F | W=125 L=430 mm, Lt=550 mm, Wt=3.8 kg

G | W=35 L=380 mm, Lt=500 mm, Wt=2.5 kg

H | W= - L=280 mm, Lt=400 mm, Wt=2.1 kg

I | W= Ø175 L=- mm, Lt=- mm, Wt=7.6 kg

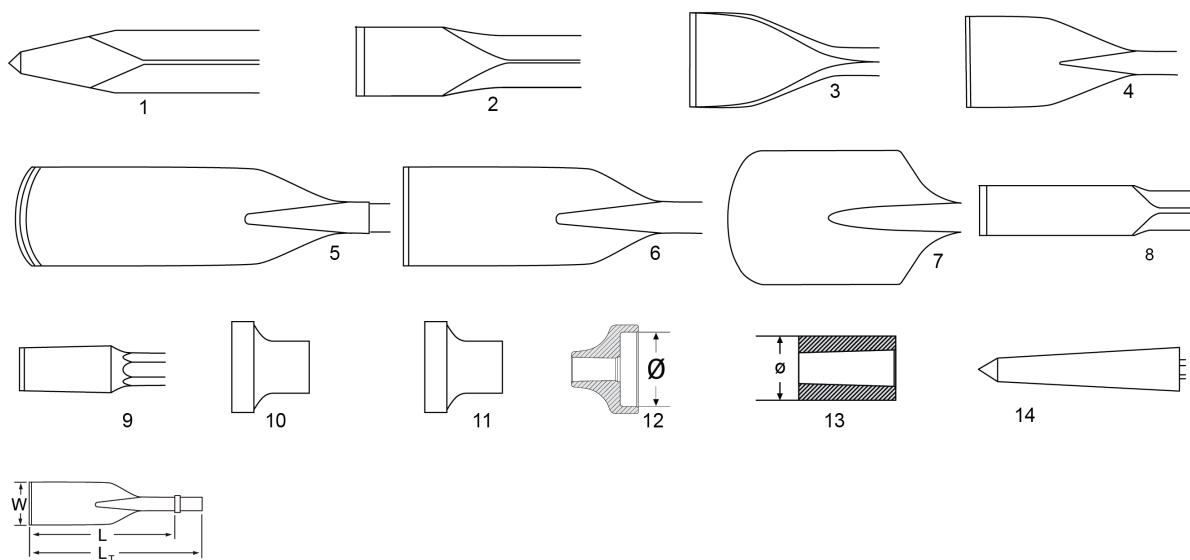
J | W=175 L= - mm, Lt=- mm, Wt=6.1 kg

K | W= Ø100 L= - mm, Lt= - mm, Wt= 2.6 kg

L | W= Ø65 L=- mm, Lt=- mm, Wt=1.9 kg

M | W= 40 L= - mm, Lt= - mm, Wt=2.7 kg

Working tools ISO standard hexagon 28 x 152 mm



Item	Part No.	Name	Qty	L
1	3083326700	Moil point	1	A
1	3083401510	Moil point	1	B
1	3083401520	Moil point	1	C
1	3083401530	Moil point	1	D
2	3083326800	Narrow chisel	1	E
2	3083401610	Narrow chisel	1	F
2	3083401620	Narrow chisel	1	G
2	3083401630	Narrow chisel	1	H
3	3083328900	Wide chisel	1	I
3	3083401700	Wide chisel	1	J
3	3083401710	Wide chisel	1	K
3	3083401720	Wide chisel	1	L
4	3083401900	Asphalt cutter	1	M
4	3083329000	Asphalt cutter	1	N
5	3083329100	Digging chisel	1	O
6	3083329200	Digging chisel	1	P
7	3083329300	Clay spade	1	Q
8	3083329400	Wedge chisel	1	R
9	3083326900	Shaft for tamping pad	1	S
10	3083330100	Tamping pad, round	1	T
11	3083330200	Tamping pad, square	1	U
11	3083319700	Tamping pad, square	1	V
12	3376112079	Driving pad	1	W
12	3376112077	Driving pad	1	Q
13	9245282710	Driver blank	1	Y

Comments for Page: ISO standard hexagon 28 x 152 mm

(L)OCAL REMARKS

A | W= - L=350 mm, Lt=515 mm, Wt=2.7 kg

B | W= - L=450 mm, Lt=615 mm, Wt=3.2 kg

C | W= - L=610 mm, Lt=775 mm, Wt=4.1 kg

D | W= - L=915 mm, Lt=1080 mm, Wt=5.8 kg

E | W= - L=355 mm, Lt=515 mm, Wt=2.7 kg

F | W= - L=450 mm, Lt=615 mm, Wt=3.2 kg

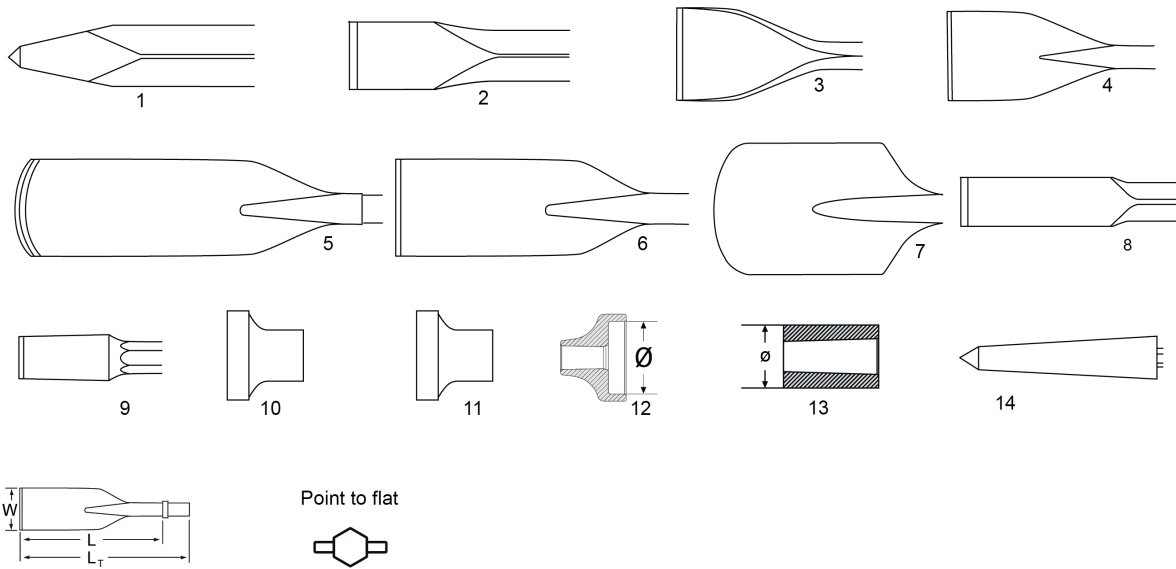
Refer to Parts Online for the most up to date information. The printed information might be outdated.

Thu Feb 13 12:56:20 UTC 2020

G | W=- L=640 mm, Lt=775 mm, Wt=4.1 kg
H | W= - L=915 mm, Lt=1080 mm, Wt=5.8 kg
I | W= 75 L=380 mm, Lt=545 mm, Wt=3.1 kg
J | W=75 L=450 mm, Lt=615 mm, Wt=3.5 kg
K | W= 75 L= 610 mm, Lt=775 mm, Wt= 4.3 kg
L | W=75 L=915 mm, Lt=1080 mm, Wt=5.9 kg
M | W=115 L= 280 mm, Lt= 445 mm, Wt=3.5 kg
N | W=125 L=330mm, Lt= 495 mm, Wt=4.1 kg
O | W= 75 L= 380 mm, Lt= 545 mm, Wt=4.1 kg
P | W= 125 L=320 mm, Lt=180 mm, Wt=4.1 kg
Q | W=140 L= 380 mm, Lt=545 mm, Wt=4.5 kg
R | W= 50 L= 400 mm, Lt= 565 mm, Wt=5.0 kg
S | W= - L=230 mm, Lt=395 mm, Wt=2.9 kg
T | W=Ø180 L=-mm, Lt=- mm, Wt=7.1 kg
U | W=150 L=-mm, Lt=- mm, Wt=8.2 kg
V | W=200 L=-mm, Lt=- mm, Wt=10.2 kg
W | W=Ø120 L=-mm, Lt=- mm, Wt=7.6 kg
W | W=Ø150 L=-mm, Lt=- mm, Wt=8.7 kg
W | W=Ø80 L=-mm, Lt=- mm, Wt=3.4 kg

This page intentionally left blank

Working tools ISO standard hexagon 28 x 160 mm



Item	Part No.	Name	Qty	L
1	3083327100	Collared - Moil point - Hex 28 x 160	1	A
1	3083327200	Moil point	1	B
1	3083327300	Moil point	1	C
2	3083327400	Collared - Narrow chisel H 28 x 160	1	D
2	3083327500	Narrow chisel	1	E
2	3083327600	Narrow chisel	1	F
3	3083327700	Wide chisel	1	G
4	3083327800	Asphalt cutter	1	H
5	3083327900	Digging chisel	1	I
6	3083328000	Digging spade	1	J
7	3083328100	Clay spade	1	K
8	3083328200	Wedge chisel	1	L
9	3083328301	Shaft for tamping pad	1	M
10	3083330100	Tamping pad, round	1	N
11	3083330200	Tamping pad, square	1	O
11	3083319700	Tamping pad, square	1	P
12	3376112079	Driving pad	1	Q
12	3376112077	Driving pad	1	R
13	9245282710	Driver blank	1	S

Comments for Page: ISO standard hexagon 28 x 160 mm

(L)OCAL REMARKS

A | W= - L=380 mm, Lt=545 mm, Wt=2.9 kg

B | W= - L=450 mm, Lt=615 mm, Wt=3.2 kg

C | W= - L=1000 mm, Lt=1165 mm, Wt=6.2 kg

D | W= - L=380 mm, Lt=545 mm, Wt=2.8 kg

E | W= - L=450 mm, Lt=615 mm, Wt=3.3 kg

F | W= - L=1000 mm, Lt=1165 mm, Wt=6.4 kg

G | W=75 L=380 mm, Lt=545 mm, Wt=3.0 kg

H | W= 115 L=300 mm, Lt=465 mm, Wt=3.7 kg

I | W= 75 L=380 mm, Lt=545 mm, Wt=4.1 kg

J | W=125 L= 380 mm, Lt=545 mm, Wt=4.6 kg

K | W= 140 L= 380 mm, Lt= 545 mm, Wt= 4.1 kg

L | W= 40 L=400 mm, Lt=565 mm, Wt=3.9 kg

M | W= - L= 230 mm, Lt= 395 mm, Wt=3.0 kg

Refer to Parts Online for the most up to date information. The printed information might be outdated.

Thu Feb 13 12:56:21 UTC 2020

N | W= Ø180 L= - mm, Lt= - mm, Wt= 7.1 kg

O | W= 150 L=- mm, Lt=- mm, Wt=8.2 kg

P | W= 200 L= - mm, Lt= - mm, Wt=10.0 kg

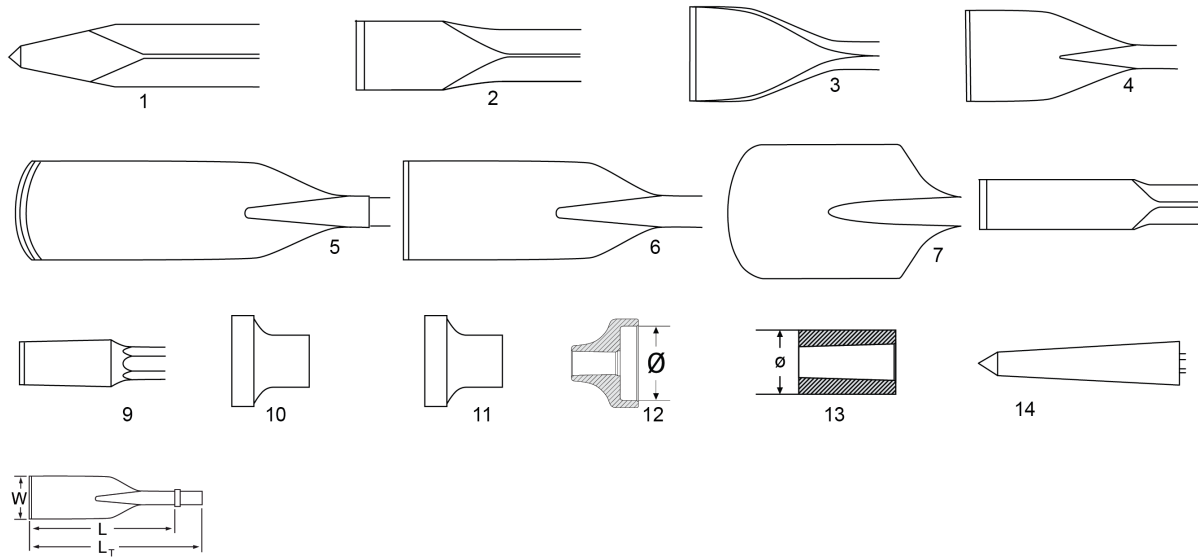
Q | W= Ø120 L= - mm, Lt= - mm, Wt= 7.6 kg

R | W= Ø150 L=- mm, Lt=- mm, Wt=8.7 kg

S | W= Ø80 L= - mm, Lt= - mm, Wt=3.4 kg

This page intentionally left blank

Working tools ISO standard hexagon 32 x 152 mm



Item	Part No.	Name	Qty	L
1	3083328500	Moil point	1	A
1	3083400010	Moil point	1	B
1	3083400020	Moil point	1	C
1	3083400030	Moil point	1	D
2	3083328600	Narrow chisel	1	E
2	3083400110	Narrow chisel	1	F
2	3083400120	Narrow chisel	1	G
2	3083400130	Narrow chisel	1	H
3	3083329500	Wide chisel	1	I
3	3083400200	Wide chisel	1	J
3	3083400210	Wide chisel	1	K
3	3083400220	Wide chisel	1	L
4	3083400400	Asphalt cutter	1	M
4	3083329600	Asphalt cutter	1	N
5	3083329700	Digging chisel	1	O
6	3083329800	Digging chisel	1	P
7	3083329900	Clay spade	1	Q
9	3083328700	Shaft for tamping pad	1	S
10	3083330100	Tamping pad, round	1	T
11	3083330200	Tamping pad, square	1	U
11	3083319700	Tamping pad, square	1	V
12	3376112079	Driving pad	1	W
12	3376112077	Driving pad	1	Q
13	9245282710	Driver blank	1	Y

Comments for Page: ISO standard hexagon 32 x 152 mm

(L)OCAL REMARKS

A | W= - L=350 mm, Lt=520 mm, Wt=3.3 kg

B | W= - L=450 mm, Lt=615 mm, Wt=3.9 kg

C | W= - L=610 mm, Lt=775 mm, Wt=5.1 kg

D | W= - L=915 mm, Lt=1080 mm, Wt=7.0 kg

E | W= - L=355 mm, Lt=520 mm, Wt=3.2 kg

F | W= - L=450 mm, Lt=615 mm, Wt=3.8 kg

G | W=- L=610 mm, Lt=775 mm, Wt=4.9 kg

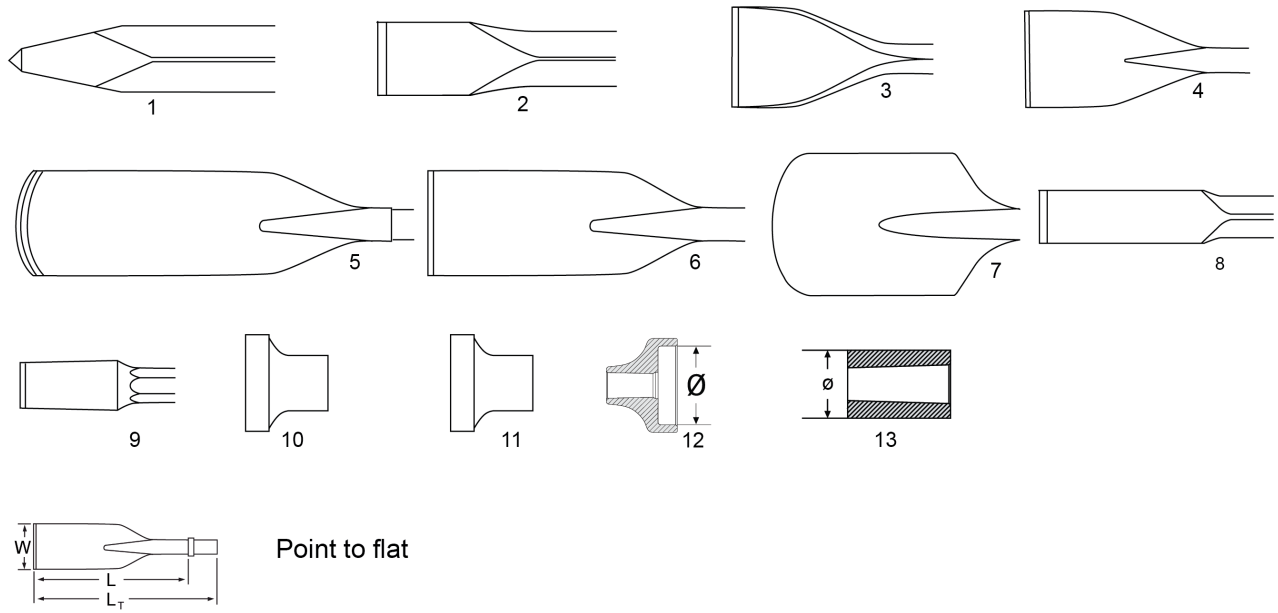
Refer to Parts Online for the most up to date information. The printed information might be outdated.

Thu Feb 13 12:56:22 UTC 2020

H | W= - L=915 mm, Lt=1080 mm, Wt=7.0 kg
I | W= 75 L=380 mm, Lt=545 mm, Wt=3.6 kg
J | W=75 L=450 mm, Lt=615 mm, Wt=4.2 kg
K | W= 75 L= 610 mm, Lt=775 mm, Wt= 5.1 kg
L | W=75 L=915 mm, Lt=1080 mm, Wt=6.7 kg
M | W=115L= 305 mm, Lt= 470 mm, Wt=4.0 kg
N | W=125 L=330mm, Lt= 495 mm, Wt=4.1 kg
O | W= 75 L= 380 mm, Lt= 545 mm, Wt=4.5 kg
P | W= 125 L=320 mm, Lt=485 mm, Wt=4.3 kg
Q | W=140 L= 380 mm, Lt=545 mm, Wt=5.3 kg
R | W= 50 L= 400 mm, Lt= 565 mm, Wt=5.2 kg
S | W= - L=230 mm, Lt=395 mm, Wt=3.1 kg
T | W=Ø180 L=-mm, Lt=- mm, Wt=7.1 kg
U | W=150 L=-mm, Lt=- mm, Wt=8.2 kg
V | W=200 L=-mm, Lt=- mm, Wt=10.0 kg
W | W=Ø120 L=-mm, Lt=- mm, Wt=7.6 kg
W | W=Ø150 L=-mm, Lt=- mm, Wt=8.7 kg
W | W=Ø80 L=-mm, Lt=- mm, Wt=3.4 kg

This page intentionally left blank

Working tools ISO standard hexagon 32 x 160 mm



Item	Part No.	Name	Qty	L
1	3083320500	Moil point	1	A
1	3083320600	Moil point	1	B
1	3083320700	Moil point	1	C
2	3083320800	Narrow chisel	1	D
2	3083320900	Narrow chisel	1	E
2	3083321000	Narrow chisel	1	F
3	3083321100	Wide chisel	1	G
4	3083321200	Asphalt cutter	1	H
5	3083321300	Digging chisel	1	I
6	3083321400	Digging spade	1	J
7	3083321500	Clay spade	1	K
8	3083321600	Wedge chisel	1	L
9	3083321801	Shaft for tamping pad	1	M
10	3083330100	Tamping pad, round	1	N
11	3083330200	Tamping pad, square	1	O
11	3083319700	Tamping pad, square	1	P
12	3376112079	Driving pad	1	Q
12	3376112077	Driving pad	1	R
13	9245282710	Driver blank	1	S

Comments for Page: ISO standard hexagon 32 x 160 mm

(L)OCAL REMARKS

A | W= - L=380 mm, Lt=545 mm, Wt=3.5 kg

B | W= - L=450 mm, Lt=615 mm, Wt=3.9 kg

C | W= - L=1000 mm, Lt=1165 mm, Wt=7.6 kg

D | W= - L=380 mm, Lt=545 mm, Wt=3.5 kg

E | W= - L=450 mm, Lt=615 mm, Wt=4.0 kg

F | W= - L=1000 mm, Lt=1165 mm, Wt=7.5 kg

G | W=75 L=380 mm, Lt=545 mm, Wt=3.7 kg

H | W= 115 L=300 mm, Lt=465 mm, Wt=4.0 kg

I | W= 75 L=380 mm, Lt=545 mm, Wt=4.4 kg

J | W=125 L= 380 mm, Lt=545 mm, Wt=4.9 kg

K | W= 140 L= 380 mm, Lt= 545 mm, Wt= 4.4 kg

L | W= 40 L=400 mm, Lt=565 mm, Wt=3.8 kg

M | W= - L= 235 mm, Lt= 400 mm, Wt=3.1 kg

Refer to Parts Online for the most up to date information. The printed information might be outdated.

Thu Feb 13 12:56:23 UTC 2020

N | W=Ø180 L=- mm, Lt= - mm, Wt=7.1 kg

O | W= 150 L= - mm, Lt= - mm, Wt=8.2 kg

P | W= 200 L=- mm, Lt=- mm, Wt=10.0 kg

Q | W=Ø120 L= - mm, Lt=- mm, Wt=7.6 kg

R | W= Ø150 L= - mm, Lt= - mm, Wt=8.7 kg

S | W= Ø80 L=- mm, Lt=- mm, Wt=3.4 kg

This page intentionally left blank

Accessories Hoses and couplings

NO EXPLODED VIEW
AVAILABLE
FOR THIS BOM

Item	Part No.	Name	Qty	L
1	3371801083	Connection hose, complete	1	
-	3371803050	Hose	2	
-	3371805714	Seal ring 1/2"	2	
-	3371805133	Quick release coupling 1/2" Flat-face Female	1	
-	3371805134	Quick release coupling 1/2" Flat-face Male	1	
-	3371805733	Protective cap 1/2" female	1	A
-	3371805732	Protective cap For 1/2" male QRC	1	B
-	3371801087	Twin extension hose complete Incl. Fig. No. 200-207	1	
-	3371803052	Twin extension hose 7 m 1/2" BSP M – BSP M	1	
-	3371801190	Connection hose, complete Ø 1/2 in. L = 62 in.Ø 12.5 mm L = 1.6 m	1	
-	3371803064	Hose Ø 1/2 in. L = 62 in.Ø 12.5 mm L = 1.6 m	2	
-	3371802115	Label "P" Pressure side	1	G

Comments for Page: Hoses and couplings

(L)OCAL REMARKS

A | Female

B | Male

C | Female

D | Male

E | Female

F | Male

G | Pressure side

Kits Label kit

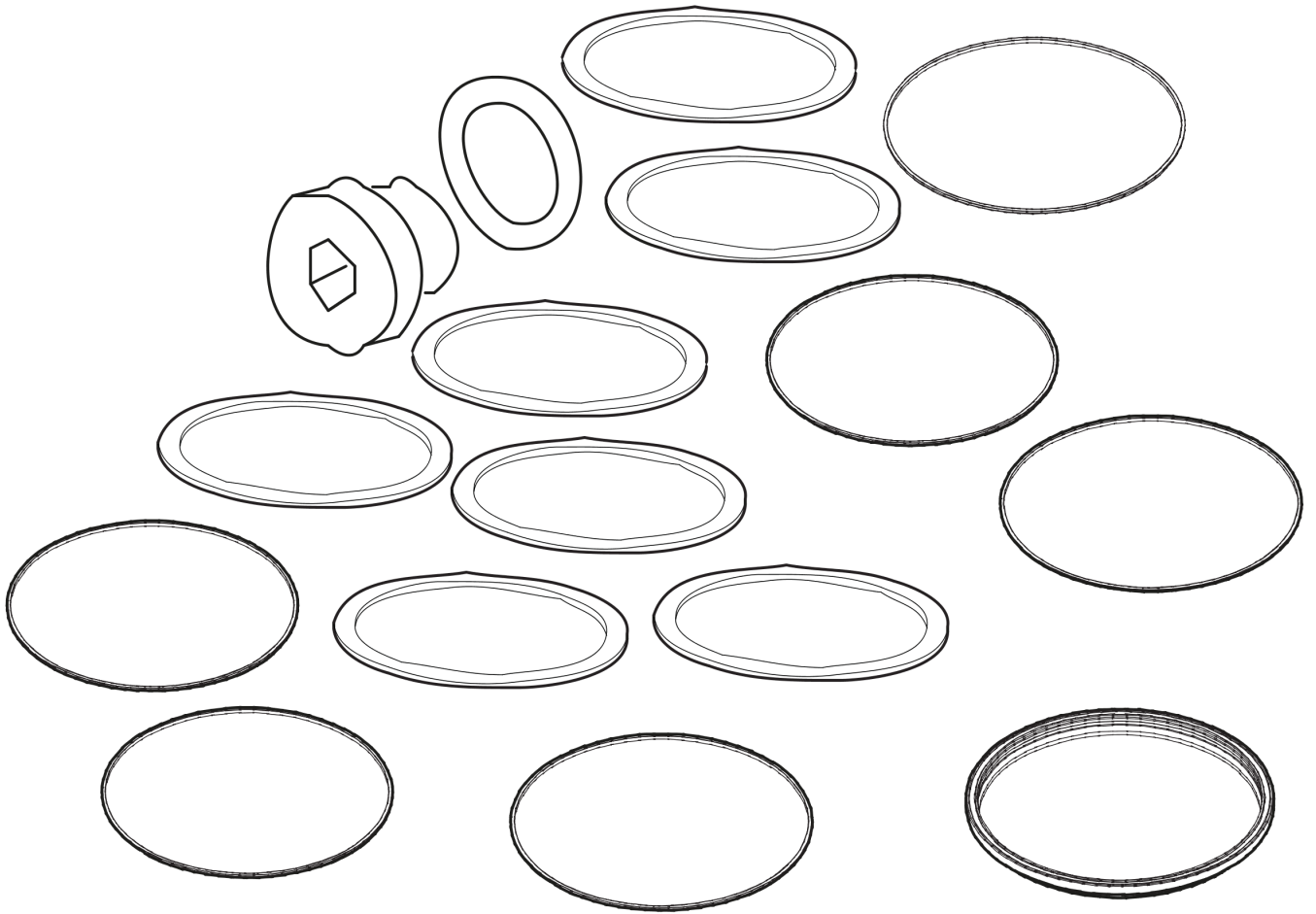
NO EXPLODED VIEW
AVAILABLE
FOR THIS BOM

Item	Part No.	Name	Qty	L
1	3371821096	Label kit	1	
-	3371896061	Safety label	1	
Not Shown	-	Pressure charge	1	A
Not Shown	-	Product label	2	B
Not Shown	-	Product model label	1	C
Not Shown	-	Product model label	1	D
Not Shown	-	Product model label	1	E
Not Shown	-	Noise level label	1	
Not Shown	-	EHTMA Category C	1	F
Not Shown	-	EHTMA Category D	1	G
Not Shown	-	Shank size, "Shank size 25 x 108"	1	
Not Shown	-	Shank size, "Shank size 28 x 160"	1	
Not Shown	-	Shank size, "Shank size 32 x 152"	1	
Not Shown	-	Shank size, "Shank size 32 x 160"	1	

Refer to Parts Online for the most up to date information. The printed information might be outdated.

Thu Feb 13 12:56:24 UTC 2020

Kits Seal kit

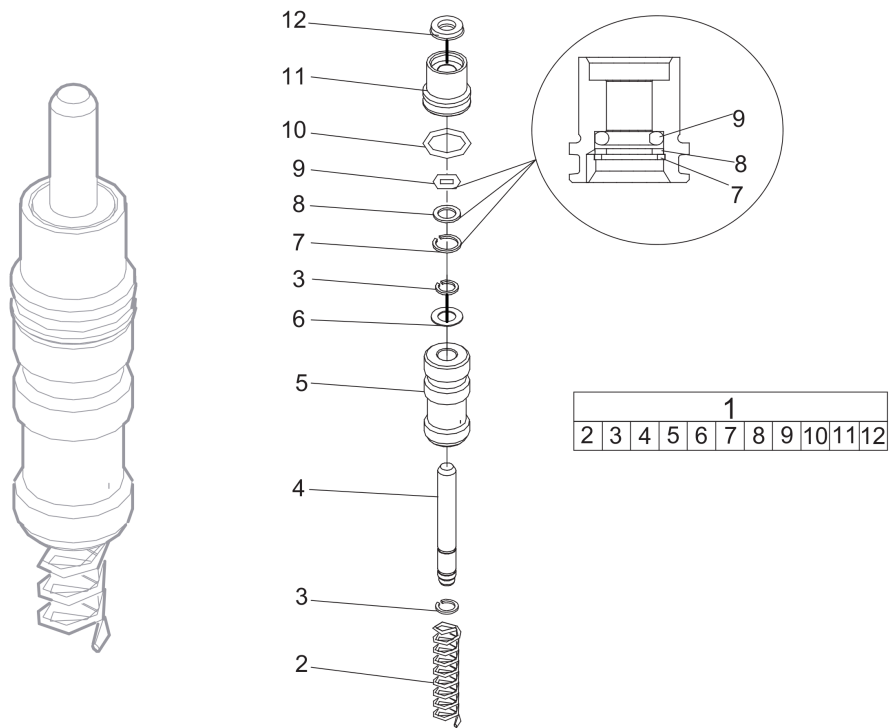


Refer to Parts Online for the most up to date information. The printed information might be outdated.

Thu Feb 13 12:56:24 UTC 2020

Item	Part No.	Name	Qty	L
1	3371820089	Seal kit	1	
-	3371814709	Seal ring	1	
-	3371813710	Protective cap M24 x 1.5 mm	1	
-	3371820702	O-ring Ø 0.94 x 0.06 in. Ø 24 x 1.5 mm	1	
-	3371820703	O-ring Ø 0.71 x 0.08 in. Ø 18 x 2 mm	4	
-	3371820704	O-ring Ø1.18 x 0.08 in. Ø 30 x 2 mm	1	
-	3371820705	O-ring Ø 1.26 x 0.08 in. Ø 32 x 2 mm	1	
-	3371820762	O-ring Ø 0.99 x 0.07 in. Ø 25.1 x 1.8 mm	1	
-	3371820740	Locking ring	1	
-	3371820176	Seal Ø 1.26 x 1.57 x 0.24 in. Ø 32 x 40 x 6 mm	1	
-	3371820708	Wiper Ø 1.26 x 1.77 x 0.28 x 0.39 in. Ø 32 x 45 x 7 x 10 mm	1	
-	3371805714	Seal ring 1/2"	2	
-	3371814700	O-ring Ø 0.33 x 0.09 in. Ø 8.3 x 2.4 mm	1	
-	3371820700	Shim PS 0.31 x 0.55 x 0.02 in. PS 8 x 14 x 0.5 mm	1	
-	3371814732	Circlip	2	
-	3371814702	O-ring Ø 0.64 x 0.09 in. Ø 16.3 x 2.4 mm	1	
-	3371805503	Seal Ø 0.71 x 0.55 x 0.14 x 0.20 in. Ø 18 x 14 x 3.5 x 5 mm	1	
-	3371814701	Back-up ring	1	
-	3371814712	Circlip	1	
-	3371817757	O-ring Ø 0.24 x 0.08 in. Ø 6 x 2 mm	1	
-	3371100084	O-ring Ø 0.31 x 0.08 in. Ø 8 x 2 mm	1	
-	3371820718	Seal ring	1	
-	3371820725	O-ring Ø 3.23 x 0.06 in. Ø 82 x 1.5 mm	1	
-	3371820726	O-ring Ø 0.63 x 0.06 in. Ø 16 x 1.5 mm	1	
-	3371814749	O-ring Ø 0.51 x 0.06 in. Ø 13 x 1.5 mm	1	
-	3371820167	Back-up washer Ø 1.29 x 1.77 x 0.10 in. Ø 32.7 x 45 x 2.5 mm	1	
-	3371820727	Locking ring	1	
-	3371821709	Back-up ring	1	
-	3371815131	Nab	2	
-	3371821710	O-ring Ø 1.10 x 0.12 in. Ø 28 x 3 mm	1	
-	3371821242	Air filter	1	

Kits Trigger valve kit



Refer to Parts Online for the most up to date information. The printed information might be outdated.

Thu Feb 13 12:56:25 UTC 2020

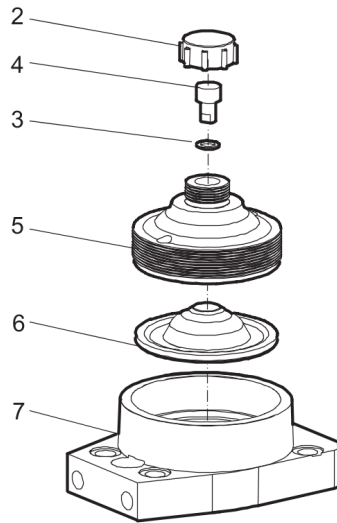
Item	Part No.	Name	Qty	L
1	3371820053	Trigger valve kit	1	
2	3371820137	Spring	1	
3	3371814732	Circlip	2	
4	3371820136	Trigger rod	1	
5	3371820108	Trigger spool	1	
6	3371820700	Shim PS 0.31 x 0.55 x 0.02 in. PS 8 x 14 x 0.5 mm	1	
7	3371814712	Circlip	1	
8	3371814701	Back-up ring	1	
9	3371814700	O-ring Ø 0.33 x 0.09 in. Ø 8.3 x 2.4 mm	1	
10	3371814702	O-ring Ø 0.64 x 0.09 in. Ø 16.3 x 2.4 mm	1	
11	3371814120	Packing gland	1	
12	3371805503	Seal Ø 0.71 x 0.55 x 0.14 x 0.20 in. Ø 18 x 14 x 3.5 x 5 mm	1	

Refer to Parts Online for the most up to date information. The printed information might be outdated.

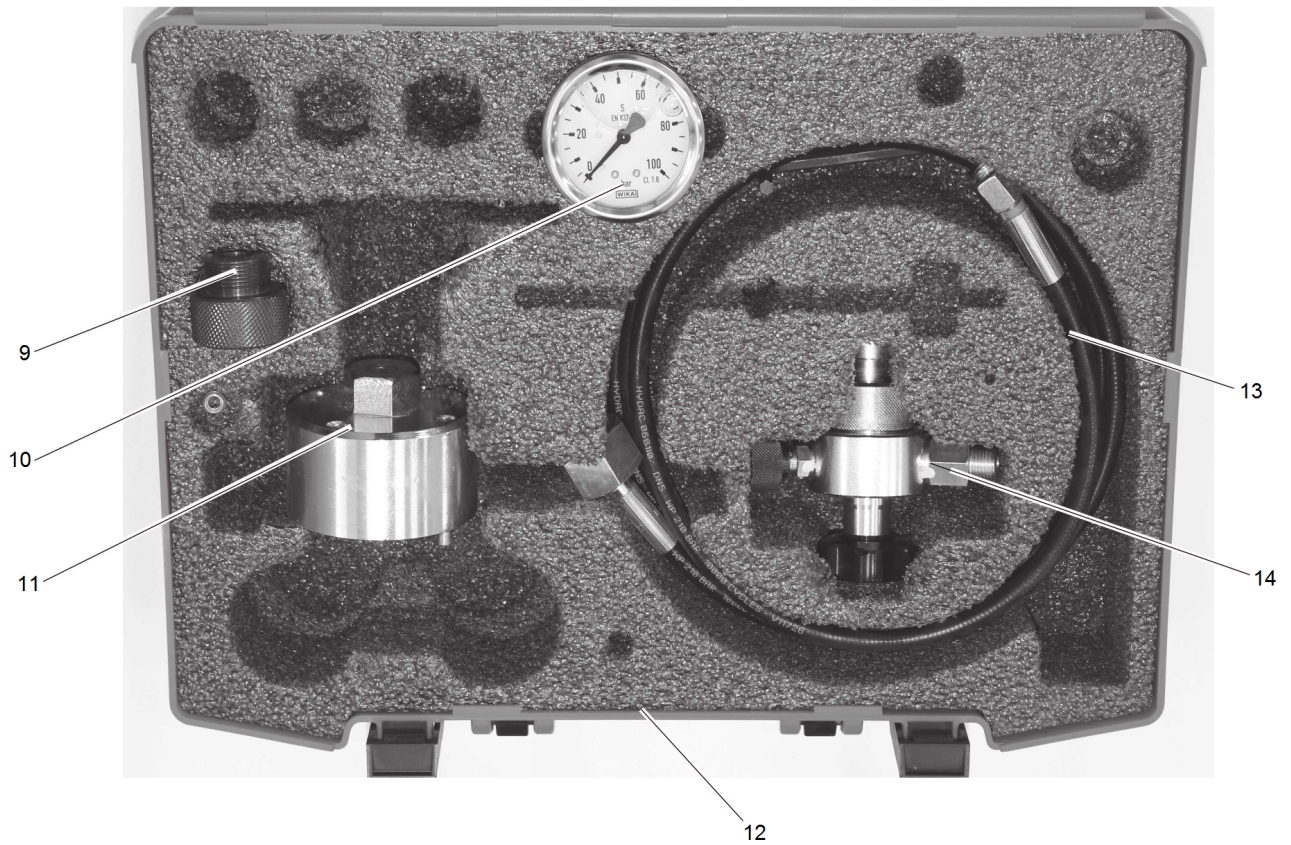
Thu Feb 13 12:56:25 UTC 2020

Kits Accumulator kit

			1			
2	3	4	5	6	7	



				8		
9	10	11	12	13	14	



Refer to Parts Online for the most up to date information. The printed information might be outdated.

Thu Feb 13 12:56:26 UTC 2020

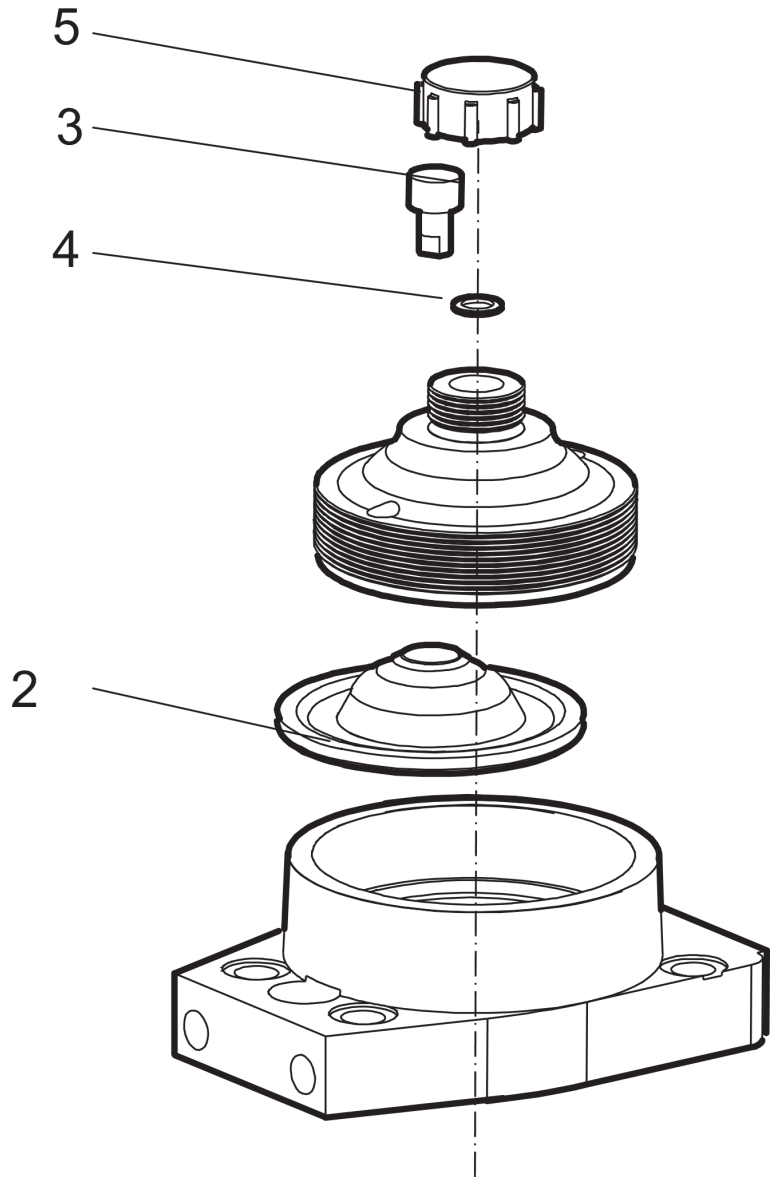
Item	Part No.	Name	Qty	L
1	3371814051	Accumulator kit	1	
2	3376117071	Protective cap	1	
3	3371814709	Seal ring	1	
4	3371813103	Charging screw	1	
5	3371814102	Accumulator cover	1	
6	3371814052	Diaphragm	1	
7	3371814104	Accumulator body	1	
8	3371801155	Filling device kit	1	
9	3371807780	Adapter	1	
10	-	Manometer	1	
11	3371807760	Tool for accumulator	1	
12	-	Suitcase	1	
13	3371807779	Charging hose	1	
14	3371807778	Charging device	1	
Not Shown	-	Adapters	1	

Refer to Parts Online for the most up to date information. The printed information might be outdated.

Thu Feb 13 12:56:26 UTC 2020

Kits 3310101845_Accumulator repair kit

1				
2	3	4	5	



Item	Part No.	Name	Qty	L
1	3310101845	Accumulator repair kit	1	
2	3371814052	Diaphragm	1	
3	3371813103	Charging screw	1	
4	3371814709	Seal ring	1	
5	3376117071	Protective cap	1	

Refer to Parts Online for the most up to date information. The printed information might be outdated.

Thu Feb 13 12:56:26 UTC 2020

AUTORYZOWANY PARTNER:

TECHBUD

SILNIKI • MASZYNY BUDOWLANE • DROGOWE • AGREGATY

Techbud Sp. z o.o.
ul. Gorzowska 12
65-127 Zielona Góra

tel. +48 68 470 72 50
fax +48 68 470 72 51
www.techbud.eu
techbud@techbud.eu

Any unauthorized use or copying of the contents or any part thereof is prohibited.
This applies in particular to trademarks, model denominations, part numbers, and drawings.

Atlas Copco

www.atlascopco.com