

# LH 390, 390 HBP, 400 E, 400 E HBP



## Spare Parts List

### Handheld hydraulic breakers

LH 390, 390 HBP, 400 E, 400 E HBP



# TECHBUD



# General information

This spare parts list applies to the following:

Part number	Description
1801374364	LH 390 28 x 152 mm (1 1/8 x 6 in.)
1801374365	LH 390 28 x 160 mm (1 1/8 x 6 1/4 in.)
1801374366	LH 390 32 x 152 mm (1 1/4 x 6 in.)
1801374367	LH 390 32 x 160 mm (1 1/4 x 6 1/4 in.)
1801374705	LH 390 HBP 28 x 152 mm (1 1/8 x 6 in.)
1801374706	LH 390 HBP 28 x 160 mm (1 1/8 x 6 1/4 in.)
1801374707	LH 390 HBP 32 x 152 mm (1 1/4 x 6 in.)
1801374708	LH 390 HBP 32 x 160 mm (1 1/4 x 6 1/4 in.)
1801374368	LH 400 E 28 x 152 mm (1 1/8 x 6 in.)
1801374369	LH 400 E 28 x 160 mm (1 1/8 x 6 1/4 in.)
1801374370	LH 400 E 32 x 152 mm (1 1/4 x 6 in.)
1801374371	LH 400 E 32 x 160 mm (1 1/4 x 6 1/4 in.)
1801374709	LH 400 E HBP 28 x 152 mm (1 1/8 x 6 in.)
1801374710	LH 400 E HBP 28 x 160 mm (1 1/8 x 6 1/4 in.)
1801374711	LH 400 E HBP 32 x 152 mm (1 1/4 x 6 in.)
1801374712	LH 400 E HBP 32 x 160 mm (1 1/4 x 6 1/4 in.)

Use only authorized parts. Any damage or malfunction caused by the use of unauthorized parts is not covered by Warranty or Product Liability.

Any unauthorized use or copying of the contents or any part thereof is prohibited. This applies in particular to trademarks, model denominations, part numbers, and drawings.

## Instructions for use

This spare parts list contains no safety regulations and is merely intended to assist in the ordering of spare parts.

For information about operating, servicing, or repairing, the relevant Safety and operating instructions must be consulted at all costs.

Please observe the safety instructions listed in the relevant Safety and operating instructions!

# General information

This spare parts list applies to the following:

Part number	Description
1801374364	LH 390 28 x 152 mm (11/8 x 6 in.)
1801374365	LH 390 28 x 160 mm (11/8 x 61/4 in.)
1801374366	LH 390 32 x 152 mm (11/4 x 6 in.)
1801374367	LH 390 32 x 160 mm (11/4 x 61/4 in.)
1801374705	LH 390 HBP 28 x 152 mm (11/8 x 6 in.)
1801374706	LH 390 HBP 28 x 160 mm (11/8 x 61/4 in.)
1801374707	LH 390 HBP 32 x 152 mm (11/4 x 6 in.)
1801374708	LH 390 HBP 32 x 160 mm (11/4 x 61/4 in.)
1801374368	LH 400 E 28 x 152 mm (11/8 x 6 in.)
1801374369	LH 400 E 28 x 160 mm (11/8 x 61/4 in.)
1801374370	LH 400 E 32 x 152 mm (11/4 x 6 in.)
1801374371	LH 400 E 32 x 160 mm (11/4 x 61/4 in.)
1801374709	LH 400 E HBP 28 x 152 mm (11/8 x 6 in.)
1801374710	LH 400 E HBP 28 x 160 mm (11/8 x 61/4 in.)
1801374711	LH 400 E HBP 32 x 152 mm (11/4 x 6 in.)
1801374712	LH 400 E HBP 32 x 160 mm (11/4 x 61/4 in.)

Use only authorized parts. Any damage or malfunction caused by the use of unauthorized parts is not covered by Warranty or Product Liability. Any unauthorized use or copying of the contents or any part thereof is prohibited. This applies in particular to trademarks, model denominations, part numbers, and drawings.

## Instructions for use

This spare parts list contains no safety regulations and is merely intended to assist in the ordering of spare parts.

For information about operating, servicing, or repairing, the relevant Safety and operating instructions must be consulted at all costs.

Please observe the safety instructions listed in the relevant Safety and operating instructions!

Kits/Consumables LH 390, 390 HBP, 400 E, 400 E HBP .....	1
--	---

**Spare parts list**

LH 390, 400 E .....	3
LH 390 HBP, 400 E HBP .....	7
Nose parts .....	11
Handle standard .....	15
E-handle .....	17

**Tightening torque**

Tightening torque .....	21
-------------------------	----

**Working tools**

ISO standard hexagon 32 x 152 mm .....	23
ISO standard hexagon 32 x 160 mm .....	26

**Accessories**

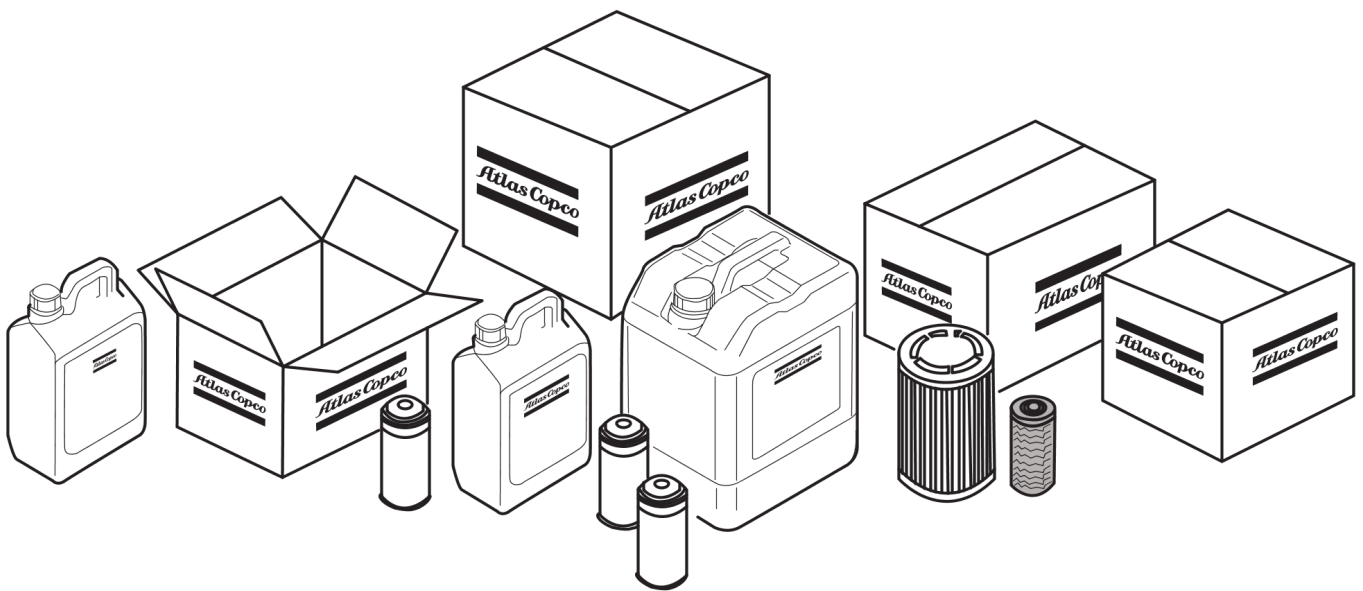
Hoses and couplings .....	30
---------------------------	----

**Kits**

Label kit .....	33
Seal kit .....	35
Trigger valve kit .....	37
Accumulator kit .....	39
3310101845_Accumulator repair kit .....	41



Kits/Consumables LH 390, 390 HBP, 400 E, 400 E HBP



Refer to Parts Online for the most up to date information. The printed information might be outdated.

Thu Feb 13 12:57:24 UTC 2020

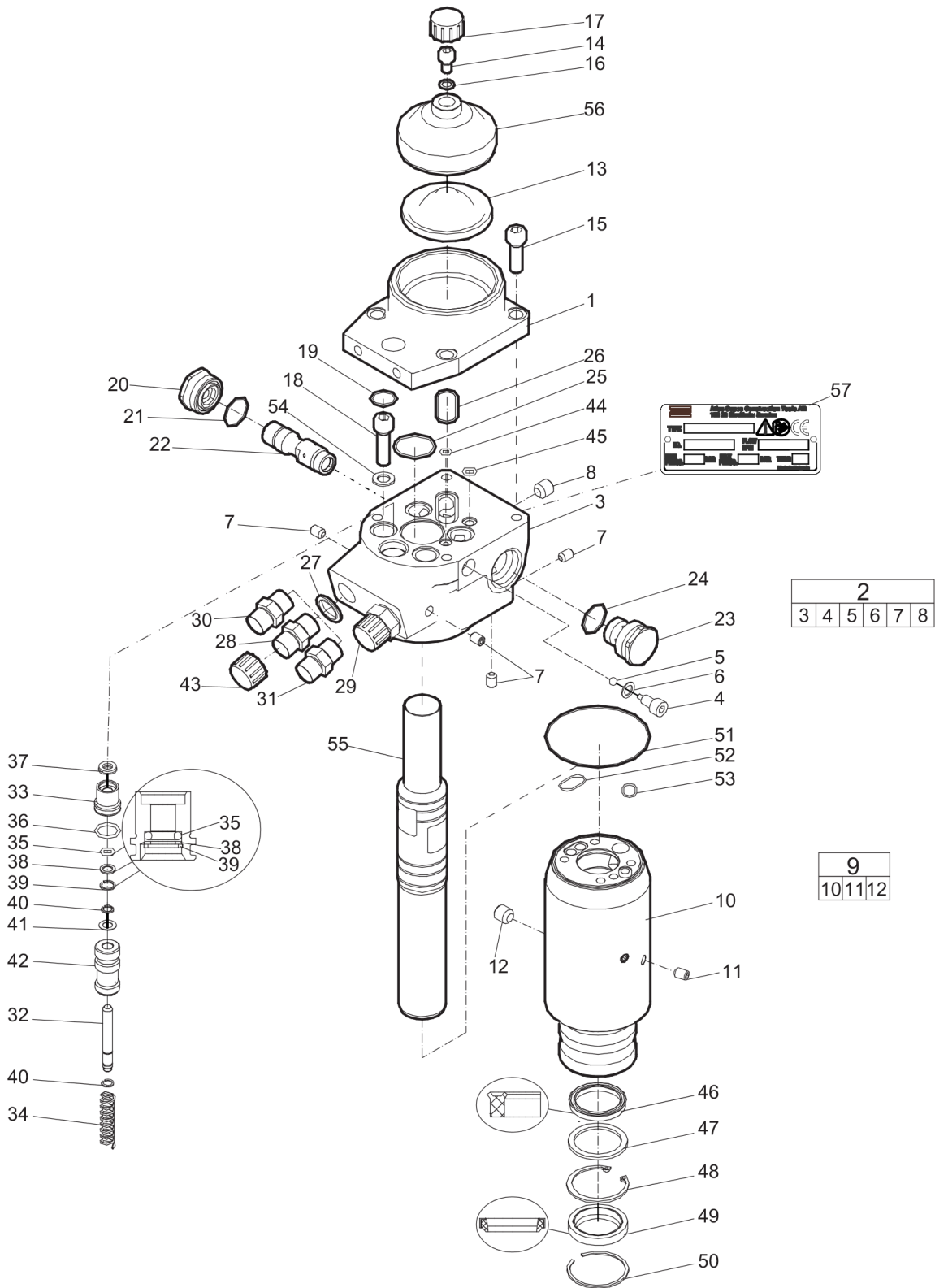
Item	Part No.	Name	Qty	L
1	-	ISO standard hexagon 32 x 152 mm	1	
2	-	ISO standard hexagon 32 x 160 mm	1	
3	-	Label kit	1	
4	-	Seal kit	1	
5	-	Trigger valve kit	1	
6	-	Accumulator kit	1	

---

Refer to Parts Online for the most up to date information. The printed information might be outdated.

Thu Feb 13 12:57:24 UTC 2020

**Spare parts list** LH 390, 400 E



Refer to Parts Online for the most up to date information. The printed information might be outdated.

Thu Feb 13 12:57:25 UTC 2020



Item	Part No.	Name	Qty	L
1	3371821027	Accumulator body	1	
2	3371821025	Part Description Not Available	1	
3	--	Valve housing	1	
4	3371820262	Check valve screw	1	
5	3371820717	Ball	1	
6	3371820718	Seal ring	1	
7	3371814733	Fitting	4	
8	3371813141	Fitting	2	
9	3371821030	Cylinder, complete	1	
10	--	Cylinder	1	
11	3371814733	Fitting	2	
12	3371813141	Fitting	1	
13	3371814052	Diaphragm	1	
14	3371813103	Charging screw	1	
15	3371817720	Screw	4	
16	3371814709	Seal ring	1	
17	3371813710	Protective cap M24 x 1.5 mm	1	
18	3371814723	Screw	4	
19	3371820703	O-ring Ø 0.71 x 0.08 in. Ø 18 x 2 mm	4	
20	3371820267	Spool socket	1	
21	3371820702	O-ring Ø 0.94 x 0.06 in. Ø 24 x 1.5 mm	1	
22	3371820265	Spool	1	
23	3371820266	Guide socket	1	
24	3371820762	O-ring Ø 0.99 x 0.07 in. Ø 25.1 x 1.8 mm	1	
25	3371820704	O-ring Ø 1.18 x 0.08 in. Ø 30 x 2 mm	1	
26	3371820705	O-ring Ø 1.26 x 0.08 in. Ø 32 x 2 mm	2	
27	3371805714	Seal ring 1/2"	2	
28	3371805711	Nipple	1	
29	3371805711	Nipple	1	
30	3371818120	Nipple, optional, (T) For 35 lpm 1/2 in. BSP	1	
31	3371818013	Nipple, optional (T) For 25 lpm 1/2 in. BSP	1	
32	3371820136	Trigger rod	1	
33	3371814120	Packing gland	1	
34	3371820137	Spring	1	
35	3371814700	O-ring Ø 0.33 x 0.09 in. Ø 8.3 x 2.4 mm	1	

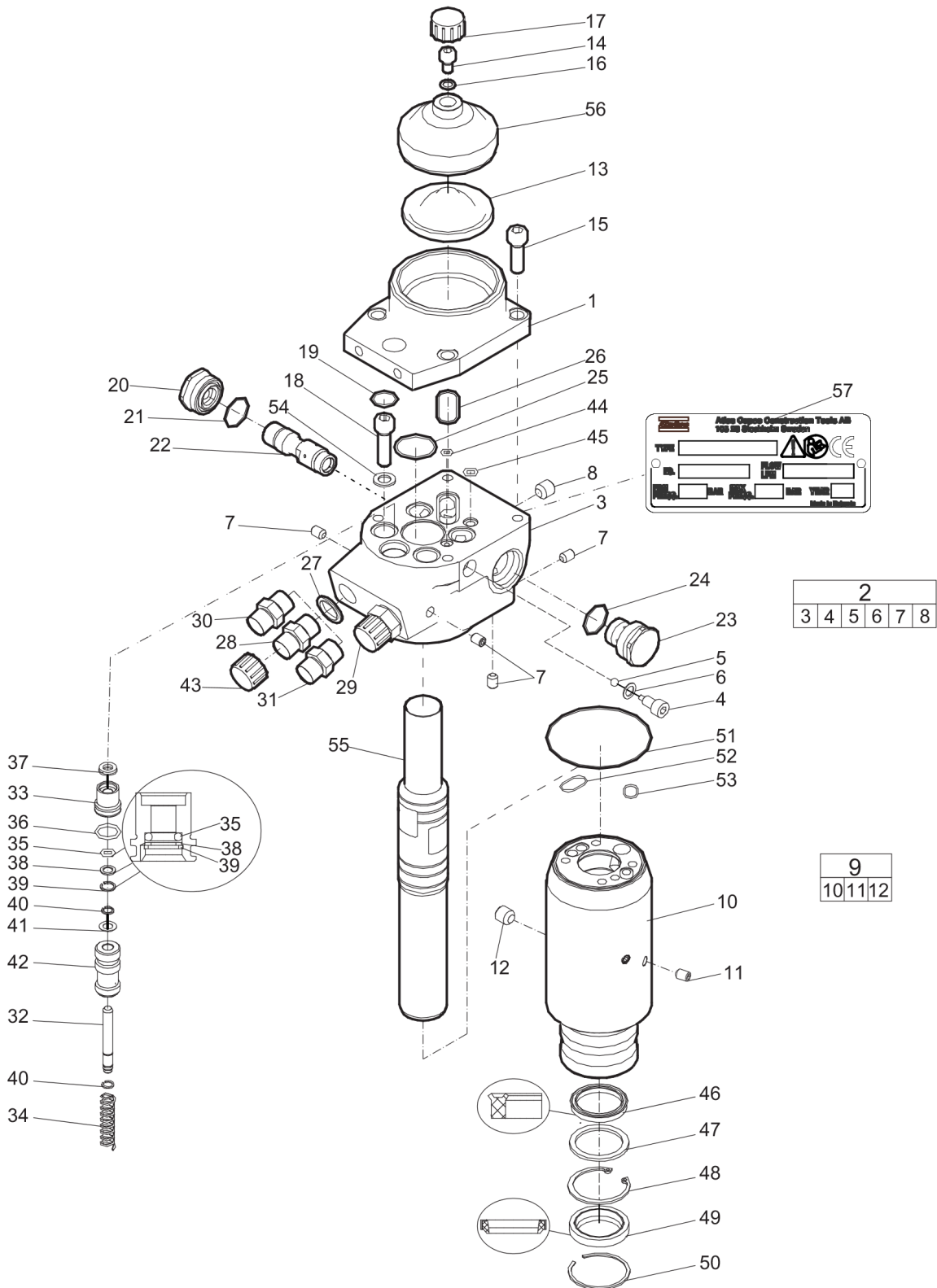
Refer to Parts Online for the most up to date information. The printed information might be outdated.

Thu Feb 13 12:57:25 UTC 2020

This page intentionally left blank

Item	Part No.	Name	Qty	L
36	3371814702	O-ring Ø 0.64 x 0.09 in. Ø 16.3 x 2.4 mm	1	
37	3371805503	Seal Ø 0.71 x 0.55 x 0.14 x 0.20 in. Ø 18 x 14 x 3.5 x 5 mm	1	
38	3371814701	Back-up ring	1	
39	3371814712	Circlip	1	
40	3371814732	Circlip	2	
41	3371820700	Shim PS 0.31 x 0.55 x 0.02 in. PS 8 x 14 x 0.5 mm	1	
42	3371820108	Trigger spool	1	
43	3371813709	Protective cap 1/2 in. BSP	2	
44	3371817757	O-ring Ø 0.24 x 0.08 in. Ø 6 x 2 mm	1	
45	3376100084	O-ring Ø 0.31 x 0.08 in. Ø 8 x 2 mm	1	
46	3371820749	Seal, Ø 1.50 x 1.77 x 0.24 in. (Ø 38 x 45 x 6 mm)	1	
47	3371820260	Back-up washer, Ø 1.52 x 1.89 x 0.10 in. (Ø 38.7 x 48 x 2.5 mm)	1	
48	3371820750	Lock ring	1	
49	3371820752	Wiper	1	
50	3371820751	Lock ring	1	
51	3371820725	O-ring Ø 3.23 x 0.06 in. Ø 82 x 1.5 mm	1	
52	3371820748	O-ring, Ø 0.71 x 0.06 in. (Ø 18 x 1.5 mm)	1	
53	3371814749	O-ring Ø 0.51 x 0.06 in. Ø 13 x 1.5 mm	1	
54	3371815735	Back-up washer	4	
55	3371820248	Piston	1	
56	3371814066	Part Description Not Available	1	
57	-	Data plate (Not available separately)	1	

**Spare parts list** LH 390 HBP, 400 E HBP



Refer to Parts Online for the most up to date information. The printed information might be outdated.

Thu Feb 13 12:57:26 UTC 2020

Item	Part No.	Name	Qty	L
1	3371821027	Accumulator body	1	
2	3371821067	Valve housing, complete	1	
3	--	Valve housing	1	
4	3371820262	Check valve screw	1	
5	3371820717	Ball	1	
6	3371820718	Seal ring	1	
7	3371814733	Fitting	4	
8	3371813141	Fitting	2	
9	3371821066	Cylinder, complete	1	
10	--	Cylinder	1	
11	3371814733	Fitting	2	
12	3371813141	Fitting	1	
13	3371814052	Diaphragm	1	
14	3371813103	Charging screw	1	
15	3371817720	Screw	4	
16	3371814709	Seal ring	1	
17	3371813710	Protective cap M24 x 1.5 mm	1	
18	3371814723	Screw	4	
19	3371820703	O-ring Ø 0.71 x 0.08 in. Ø 18 x 2 mm	4	
20	3371820267	Spool socket	1	
21	3371820702	O-ring Ø 0.94 x 0.06 in. Ø 24 x 1.5 mm	1	
22	3371821133	Spool	1	
23	3371821134	Guide socket	1	
24	3371820762	O-ring Ø 0.99 x 0.07 in. Ø 25.1 x 1.8 mm	1	
25	3371820704	O-ring Ø 1.18 x 0.08 in. Ø 30 x 2 mm	1	
26	3371820705	O-ring Ø 1.26 x 0.08 in. Ø 32 x 2 mm	2	
27	3371805714	Seal ring 1/2"	2	
28	3371805711	Nipple	1	
29	3371805711	Nipple	1	
30	3371818120	Nipple, optional, (T) For 35 lpm 1/2 in. BSP	1	
31	3371818013	Nipple, optional (T) For 25 lpm 1/2 in. BSP	1	
32	3371820136	Trigger rod	1	
33	3371814120	Packing gland	1	
34	3371820137	Spring	1	
35	3371814700	O-ring Ø 0.33 x 0.09 in. Ø 8.3 x 2.4 mm	1	

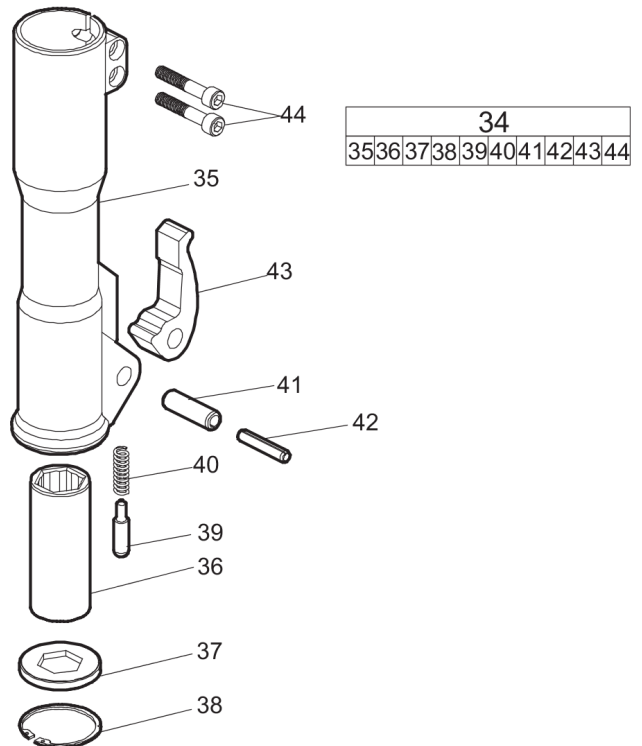
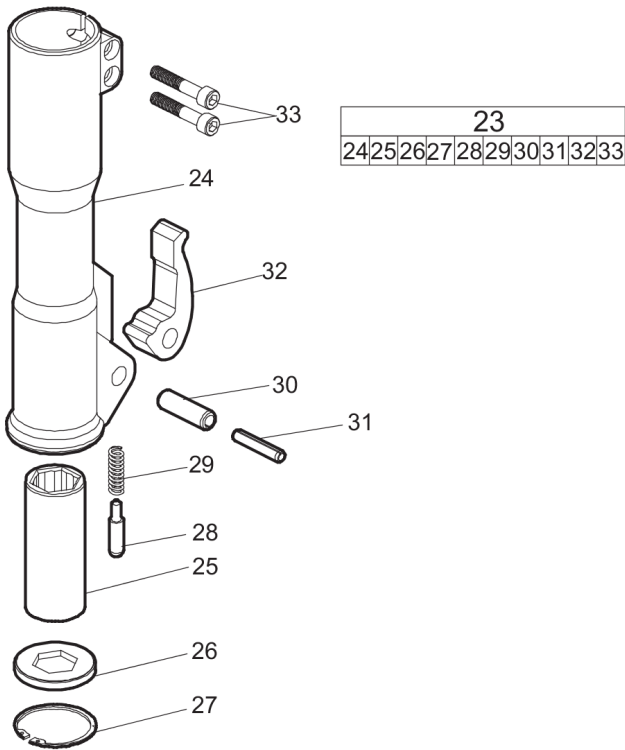
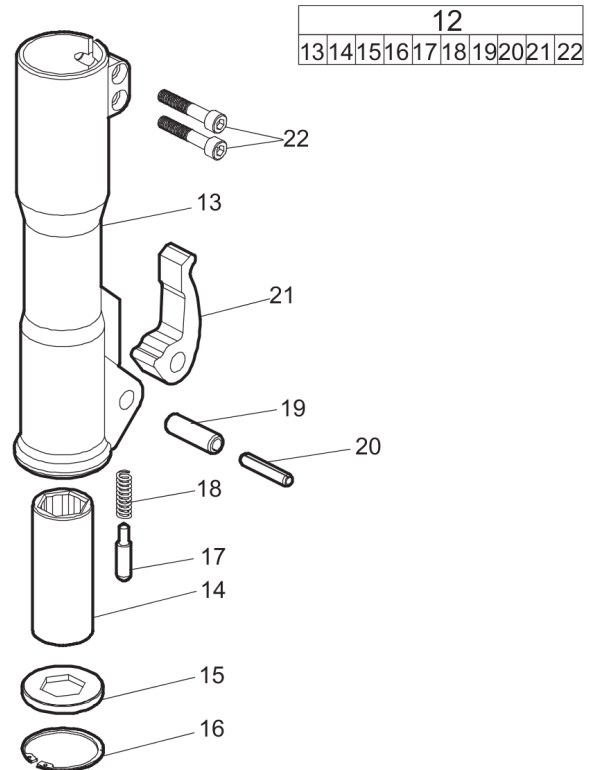
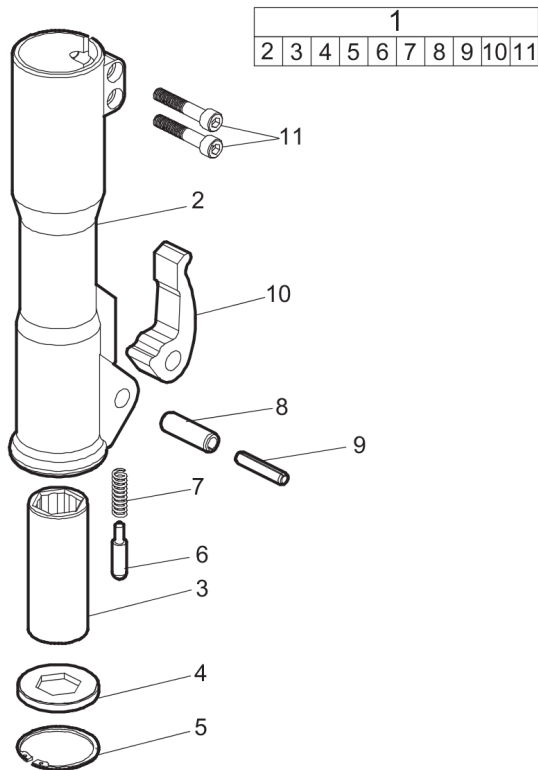
Refer to Parts Online for the most up to date information. The printed information might be outdated.

Thu Feb 13 12:57:26 UTC 2020

This page intentionally left blank

Item	Part No.	Name	Qty	L
36	3371814702	O-ring Ø 0.64 x 0.09 in. Ø 16.3 x 2.4 mm	1	
37	3371805503	Seal Ø 0.71 x 0.55 x 0.14 x 0.20 in. Ø 18 x 14 x 3.5 x 5 mm	1	
38	3371814701	Back-up ring	1	
39	3371814712	Circlip	1	
40	3371814732	Circlip	2	
41	3371820700	Shim PS 0.31 x 0.55 x 0.02 in. PS 8 x 14 x 0.5 mm	1	
42	3371820108	Trigger spool	1	
43	3371813709	Protective cap 1/2 in. BSP	2	
44	3371817757	O-ring Ø 0.24 x 0.08 in. Ø 6 x 2 mm	1	
45	3376100084	O-ring Ø 0.31 x 0.08 in. Ø 8 x 2 mm	1	
46	3371820749	Seal, Ø 1.50 x 1.77 x 0.24 in. (Ø 38 x 45 x 6 mm)	1	
47	3371820260	Back-up washer, Ø 1.52 x 1.89 x 0.10 in. (Ø 38.7 x 48 x 2.5 mm)	1	
48	3371820750	Lock ring	1	
49	3371820752	Wiper	1	
50	3371820751	Lock ring	1	
51	3371820725	O-ring Ø 3.23 x 0.06 in. Ø 82 x 1.5 mm	1	
52	3371820748	O-ring, Ø 0.71 x 0.06 in. (Ø 18 x 1.5 mm)	1	
53	3371814749	O-ring Ø 0.51 x 0.06 in. Ø 13 x 1.5 mm	1	
54	3371815735	Back-up washer	4	
55	3371821188	Piston	1	
56	3371814066	Part Description Not Available	1	
57	-	Data plate (Not available separately)	1	

**Spare parts list** Nose parts



Refer to Parts Online for the most up to date information. The printed information might be outdated.

Thu Feb 13 12:57:26 UTC 2020



Item	Part No.	Name	Qty	L
1	3371821020	Nose part, complete, Hexagon 11/8 x 6 in., Hexagon 28 x 152 mm	1	
2	--	Nose part	1	
3	3371820217	Bushing Hexagon 11/8 x 6 in.Hexagon 28 x 152 mm	1	
4	3371820219	Chisel bellows	1	
5	3371820737	Lock ring Ø 2.52 x 0.08 in.Ø 64 x 2 mm	1	
6	3371802073	Lock pin	1	
7	3371802075	Spring	1	
8	0108152100	Roll pin, Ø 0.63 x 2.36 in., Ø 16 x 60 mm	1	
9	3371813714	Roll pin, Ø 0.39 x 2.36 in., Ø 10 x 60 mm	1	
10	3371820145	Latch	1	
11	3371820753	Screw - 60	2	
12	3371821018	Nose part, complete, Hexagon 11/4 x 61/4 in., Hexagon 32 x 160 mm	1	
13	--	Nose part	1	
13	--	Nose part	1	
13	--	Nose part	1	
14	3371820194	Bushing	1	
15	3371820192	Chisel bellows	1	
16	3371820737	Lock ring Ø 2.52 x 0.08 in.Ø 64 x 2 mm	1	
17	3371802073	Lock pin	1	
18	3371802075	Spring	1	
19	3371813713	Roll pin, Ø 0.63 x 2.36 in., Ø 16 x 60 mm	1	
20	3371813714	Roll pin, Ø 0.39 x 2.36 in., Ø 10 x 60 mm	1	
21	3371820145	Latch	1	
22	3371820753	Screw - 60	2	
23	3371821017	Nose part, complete, Hexagon 11/4 x 6 in., Hexagon 32 x 152 mm	1	
24	--	Nose part	1	
24	--	Nose part	1	
24	--	Nose part	1	
25	3371820212	Bushing	1	
26	3371820192	Chisel bellows	1	
27	3371820737	Lock ring Ø 2.52 x 0.08 in.Ø 64 x 2 mm	1	
28	3371802073	Lock pin	1	
29	3371802075	Spring	1	
30	3371813713	Roll pin, Ø 0.63 x 2.36 in., Ø 16 x 60 mm	1	
31	3371813714	Roll pin, Ø 0.39 x 2.36 in., Ø 10 x 60 mm	1	

Refer to Parts Online for the most up to date information. The printed information might be outdated.

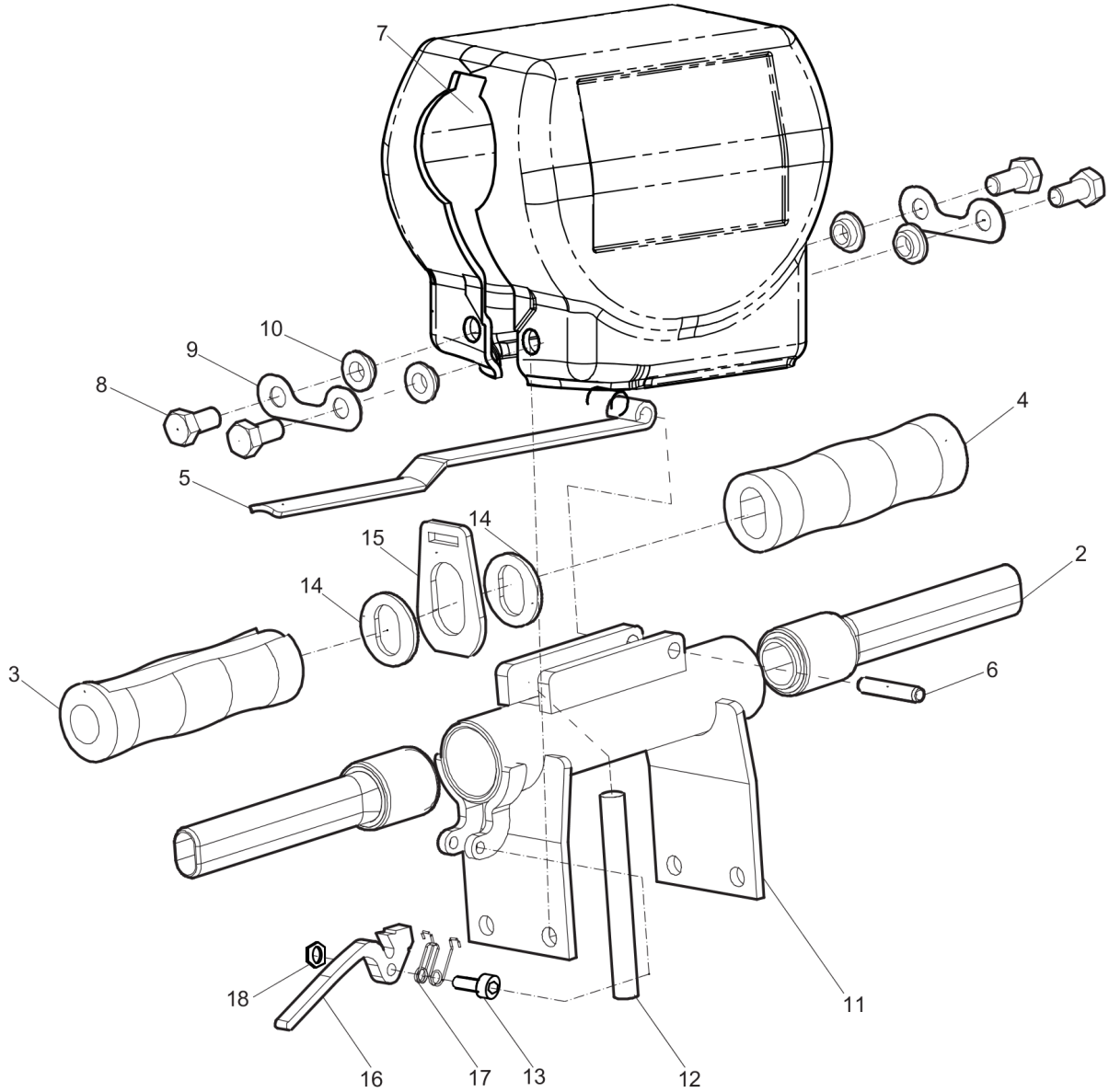
Thu Feb 13 12:57:26 UTC 2020

**This page intentionally left blank**

Item	Part No.	Name	Qty	L
32	3371820145	Latch	1	
33	3371820753	Screw - 60	2	
34	3371821031	Nose part, complete, Hexagon 11/8 x 61/4 in., Hexagon 28 x 160 mm	1	
35	--	Nose part	1	
35	--	Nose part	1	
35	--	Nose part	1	
36	3371820218	Bushing	1	
37	3371820192	Chisel bellows	1	
38	3371820737	Lock ring Ø 2.52 x 0.08 in.Ø 64 x 2 mm	1	
39	3371802073	Lock pin	1	
40	3371802075	Spring	1	
41	3371815730	Roll pin Ø 0.63 x 1.97 in.Ø 16 x 50 mm	1	
42	3371815731	Roll pin Ø 0.39 x 1.97 in.Ø 10 x 50 mm	1	
43	3371820145	Latch	1	
44	3371814724	Screw	2	

**Spare parts list** Handle standard

1																	
2	3	4	5	6	7	8	9	10	11	12	13	14	15	16	17	18	



Refer to Parts Online for the most up to date information. The printed information might be outdated.

Thu Feb 13 12:57:27 UTC 2020

Item	Part No.	Name	Qty	L
1	3371821208	Handle standard, complete	1	A
2	3371820204	Handle standard	2	
3	3371820135	Rubber handle	1	
4	3371820134	Rubber handle	1	
5	3371820238	Trigger Standard	1	B
6	0108136100	Roll pin, Ø 0.31 x 1.6 in., Ø 8 x 40 mm	1	
7	3371821202	Top cover	1	
8	3371815722	Screw M10x20	4	
9	3371815131	Nab	2	
10	3371815113	Spacer	4	
11	3371820203	Bracket	1	
12	3371820207	Nylon guide	1	
13	0211125003	Screw, M6 x 30 mm	1	
14	3371820747	Washer nylon Ø 0.83 x 1.46 x 0.12 in. Ø 21 x 37 x 3 mm	2	
15	3371820237	Lock plate	1	
16	3371820236	Safety trigger	1	
17	3371820152	Spring	1	
18	0291110800	Lock nut	1	

Comments for Page: Handle standard

(L)OCAL REMARKS

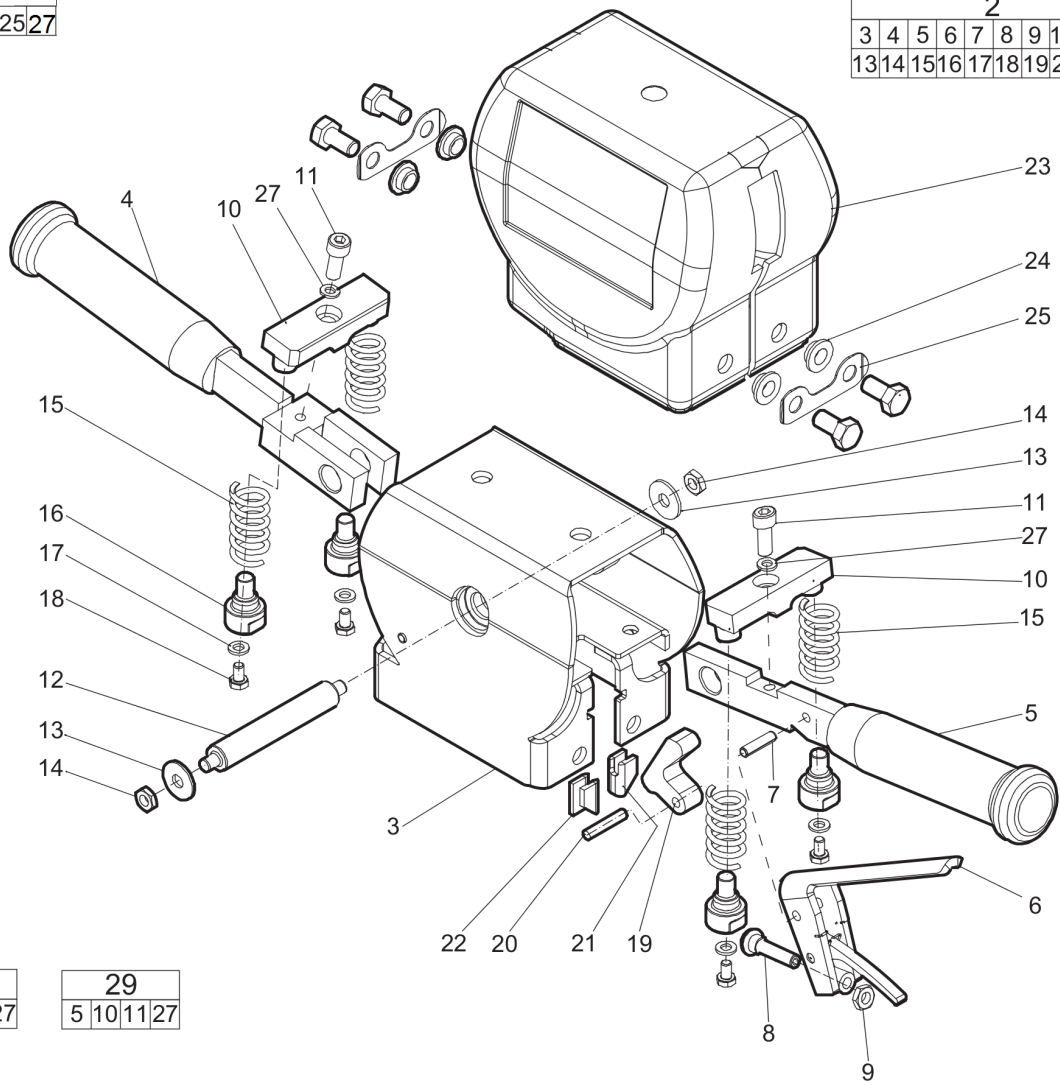
A | With plastic cover

B | Standard

**Spare parts list E-handle**

1				
2	23	24	25	27

2											
3	4	5	6	7	8	9	10	11	12	13	14
13	14	15	16	17	18	19	20	21	22	23	24



28			
4	10	11	27

29			
5	10	11	27

Refer to Parts Online for the most up to date information. The printed information might be outdated.

Thu Feb 13 12:57:28 UTC 2020

Item	Part No.	Name	Qty	L
1	3371821206	E-handle, complete	1	A
2	3371821065	VR-handle, complete Without plastic cover	1	B
3	3371821205	Frame	1	
4	-	Handle	1	
5	-	Handle	1	
6	3371821200	Trigger lever	1	
7	3371820712	Roll Pin Ø 0.24 x 0.94 in.Ø 6 x 24 mm	1	
8	3371821068	Thrust pad With screw M8	1	
9	0266211000	Hexagon nut	1	
10	3371821177	Stopper	2	
11	0211124900	Screw, M6 x 25 mm	2	
12	3371821184	Pin	1	
13	0300801900	Plain washer	2	
14	3371820722	Nut M8	2	
15	3371821178	Spring	4	
16	3371821175	Spring guide	4	
17	3377000407	Washer ø6	4	
18	0147124303	Hexagon bolt	4	
19	3371821176	Trigger pawl	1	
20	3371820711	Pin Ø 0.24 x 1.18 in.Ø 6 x 30 mm	1	
21	3371820147	Pin latch right	1	
22	3371820148	Pin latch left	1	
23	3371821183	Top cover	1	
24	3371815113	Spacer	4	
25	3371815131	Nab	2	
27	3315019502	Washer	2	
28	3371821291	Handle complete (For machines before serial number BGF057000)	1	
4	-	Handle	1	
10	3371821177	Stopper	1	
11	3371805155	Screw M8x25	1	
17	3377000407	Washer ø6	1	
29	3371821290	Handle complete (For machines before serial number BGF057000)	1	
5	-	Handle	1	
10	3371821177	Stopper	1	
11	3371805155	Screw M8x25	1	

Refer to Parts Online for the most up to date information. The printed information might be outdated.

Thu Feb 13 12:57:28 UTC 2020

**This page intentionally left blank**



Item	Part No.	Name	Qty	L
17	3377000407	Washer ø6	1	

Comments for Page: E-handle

(L)OCAL REMARKS

A | With plastic cover

B | Without plastic cover

**Tightening torque** Tightening torque

NO EXPLODED VIEW  
AVAILABLE  
FOR THIS BOM

Item	Part No.	Name	Qty	L
-	3371817720	Screw	-	A
-	3371814723	Screw	-	B
-	3371820267	Spool socket	-	C
-	3371820266	Guide socket	-	D
-	3371805711	Nipple	-	E
-	3371814733	Fitting	-	F
-	3371813141	Fitting	-	G
-	3371820194	Bushing	-	H
-	3371820753	Screw - 60	-	I
-	3371820212	Bushing	-	J

Comments for Page: Tightening torque

LOCTITE is a registered trademark of Henkel Corporation. 245, 648, and 275 are trademarks of Henkel Corporation.

(L)OCAL REMARKS

A | LOCTITE® 245™

B | LOCTITE® 245™

C | LOCTITE® 245™

D | LOCTITE® 245™

E | -

F | LOCTITE® 245™

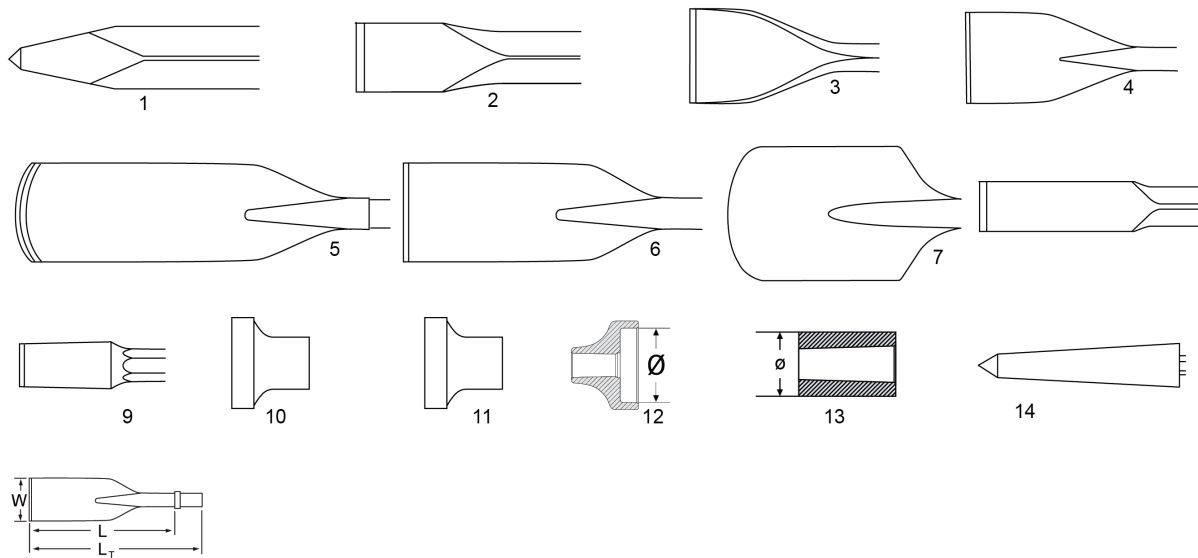
G | LOCTITE® 245™

H | LOCTITE® 648 (275)™

I | LOCTITE® 245™

J | LOCTITE® 648 (275)™

**Working tools** ISO standard hexagon 32 x 152 mm



Item	Part No.	Name	Qty	L
1	3083328500	Moil point	1	A
1	3083400010	Moil point	1	B
1	3083400020	Moil point	1	C
1	3083400030	Moil point	1	D
2	3083328600	Narrow chisel	1	E
2	3083400110	Narrow chisel	1	F
2	3083400120	Narrow chisel	1	G
2	3083400130	Narrow chisel	1	H
3	3083329500	Wide chisel	1	I
3	3083400200	Wide chisel	1	J
3	3083400210	Wide chisel	1	K
3	3083400220	Wide chisel	1	L
4	3083400400	Asphalt cutter	1	M
4	3083329600	Asphalt cutter	1	N
5	3083329700	Digging chisel	1	O
6	3083329800	Digging chisel	1	P
7	3083329900	Clay spade	1	Q
9	3083328700	Shaft for tamping pad	1	S
10	3083330100	Tamping pad, round	1	T
11	3083330200	Tamping pad, square	1	U
11	3083319700	Tamping pad, square	1	V
12	3376112079	Driving pad	1	W
12	3376112077	Driving pad	1	Q
13	9245282710	Driver blank	1	Y

Comments for Page: ISO standard hexagon 32 x 152 mm

(L)OCAL REMARKS

A | W= - L=350 mm, Lt=520 mm, Wt=3.3 kg

B | W= - L=450 mm, Lt=615 mm, Wt=3.9 kg

C | W= - L=610 mm, Lt=775 mm, Wt=5.1 kg

D | W= - L=915 mm, Lt=1080 mm, Wt=7.0 kg

E | W= - L=355 mm, Lt=520 mm, Wt=3.2 kg

F | W= - L=450 mm, Lt=615 mm, Wt=3.8 kg

G | W=- L=610 mm, Lt=775 mm, Wt=4.9 kg

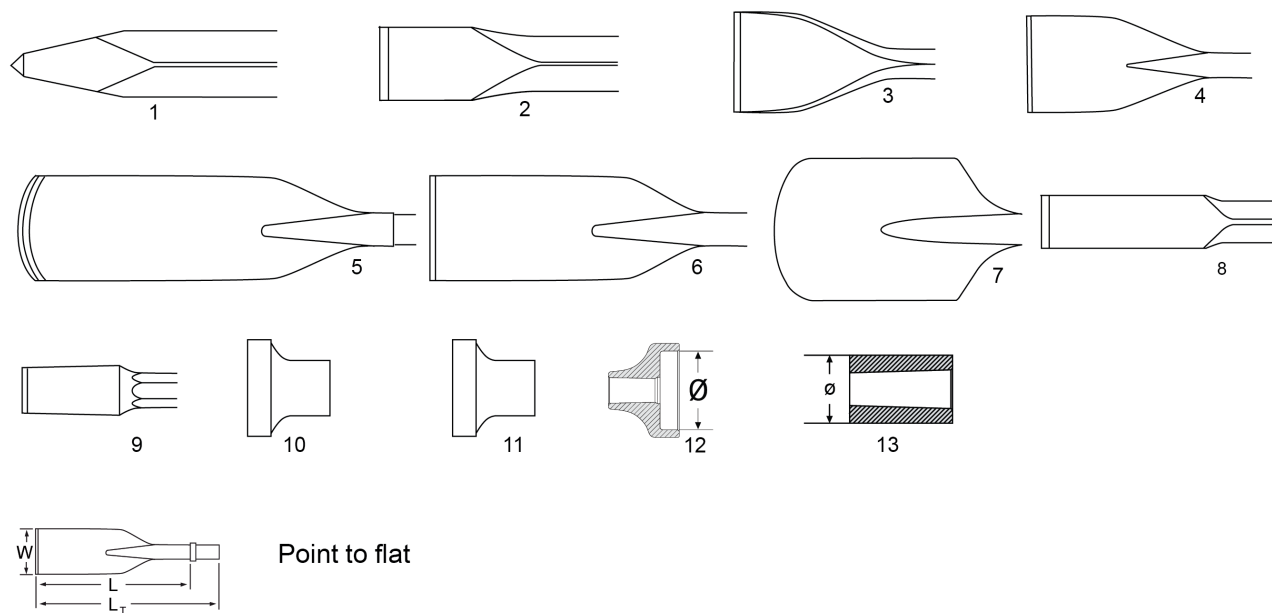
Refer to Parts Online for the most up to date information. The printed information might be outdated.

Thu Feb 13 12:57:30 UTC 2020

H | W= - L=915 mm, Lt=1080 mm, Wt=7.0 kg  
I | W= 75 L=380 mm, Lt=545 mm, Wt=3.6 kg  
J | W=75 L=450 mm, Lt=615 mm, Wt=4.2 kg  
K | W= 75 L= 610 mm, Lt=775 mm, Wt= 5.1 kg  
L | W=75 L=915 mm, Lt=1080 mm, Wt=6.7 kg  
M | W=115L= 305 mm, Lt= 470 mm, Wt=4.0 kg  
N | W=125 L=330mm, Lt= 495 mm, Wt=4.1 kg  
O | W= 75 L= 380 mm, Lt= 545 mm, Wt=4.5 kg  
P | W= 125 L=320 mm, Lt=485 mm, Wt=4.3 kg  
Q | W=140 L= 380 mm, Lt=545 mm, Wt=5.3 kg  
R | W= 50 L= 400 mm, Lt= 565 mm, Wt=5.2 kg  
S | W= - L=230 mm, Lt=395 mm, Wt=3.1 kg  
T | W=Ø180 L=-mm, Lt=- mm, Wt=7.1 kg  
U | W=150 L=-mm, Lt=- mm, Wt=8.2 kg  
V | W=200 L=-mm, Lt=- mm, Wt=10.0 kg  
W | W=Ø120 L=-mm, Lt=- mm, Wt=7.6 kg  
W | W=Ø150 L=-mm, Lt=- mm, Wt=8.7 kg  
W | W=Ø80 L=-mm, Lt=- mm, Wt=3.4 kg

This page intentionally left blank

**Working tools** ISO standard hexagon 32 x 160 mm





Item	Part No.	Name	Qty	L
1	3083320500	Moil point	1	A
1	3083320600	Moil point	1	B
1	3083320700	Moil point	1	C
2	3083320800	Narrow chisel	1	D
2	3083320900	Narrow chisel	1	E
2	3083321000	Narrow chisel	1	F
3	3083321100	Wide chisel	1	G
4	3083321200	Asphalt cutter	1	H
5	3083321300	Digging chisel	1	I
6	3083321400	Digging spade	1	J
7	3083321500	Clay spade	1	K
8	3083321600	Wedge chisel	1	L
9	3083321801	Shaft for tamping pad	1	M
10	3083330100	Tamping pad, round	1	N
11	3083330200	Tamping pad, square	1	O
11	3083319700	Tamping pad, square	1	P
12	3376112079	Driving pad	1	Q
12	3376112077	Driving pad	1	R
13	9245282710	Driver blank	1	S

Comments for Page: ISO standard hexagon 32 x 160 mm

(L)OCAL REMARKS

A | W= - L=380 mm, Lt=545 mm, Wt=3.5 kg

B | W= - L=450 mm, Lt=615 mm, Wt=3.9 kg

C | W= - L=1000 mm, Lt=1165 mm, Wt=7.6 kg

D | W= - L=380 mm, Lt=545 mm, Wt=3.5 kg

E | W= - L=450 mm, Lt=615 mm, Wt=4.0 kg

F | W= - L=1000 mm, Lt=1165 mm, Wt=7.5 kg

G | W=75 L=380 mm, Lt=545 mm, Wt=3.7 kg

H | W= 115 L=300 mm, Lt=465 mm, Wt=4.0 kg

I | W= 75 L=380 mm, Lt=545 mm, Wt=4.4 kg

J | W=125 L= 380 mm, Lt=545 mm, Wt=4.9 kg

K | W= 140 L= 380 mm, Lt= 545 mm, Wt= 4.4 kg

L | W= 40 L=400 mm, Lt=565 mm, Wt=3.8 kg

M | W= - L= 235 mm, Lt= 400 mm, Wt=3.1 kg

Refer to Parts Online for the most up to date information. The printed information might be outdated.

Thu Feb 13 12:57:31 UTC 2020

N | W=Ø180 L=- mm, Lt= - mm, Wt=7.1 kg

O | W= 150 L= - mm, Lt= - mm, Wt=8.2 kg

P | W= 200 L=- mm, Lt=- mm, Wt=10.0 kg

Q | W=Ø120 L= - mm, Lt=- mm, Wt=7.6 kg

R | W= Ø150 L= - mm, Lt= - mm, Wt=8.7 kg

S | W= Ø80 L=- mm, Lt=- mm, Wt=3.4 kg

**This page intentionally left blank**

**Accessories** Hoses and couplings

NO EXPLODED VIEW  
AVAILABLE  
FOR THIS BOM

Item	Part No.	Name	Qty	L
1	3371801083	Connection hose, complete	1	
-	3371803050	Hose	2	
-	3371805714	Seal ring 1/2"	2	
-	3371805133	Quick release coupling 1/2" Flat-face Female	1	
-	3371805134	Quick release coupling 1/2" Flat-face Male	1	
-	3371805733	Protective cap 1/2" female	1	A
-	3371805732	Protective cap For 1/2" male QRC	1	B
-	3371801087	Twin extension hose complete Incl. Fig. No. 200-207	1	
-	3371803052	Twin extension hose 7 m 1/2" BSP M – BSP M	1	
-	3371801190	Connection hose, complete Ø 1/2 in. L = 62 in. Ø 12.5 mm L = 1.6 m	1	
-	3371803064	Hose Ø 1/2 in. L = 62 in. Ø 12.5 mm L = 1.6 m	2	
-	3371802115	Label "P" Pressure side	1	G

Comments for Page: Hoses and couplings

(L)OCAL REMARKS

A | Female

B | Male

C | Female

D | Male

E | Female

F | Male

G | Pressure side

**Kits** Label kit

NO EXPLODED VIEW  
AVAILABLE  
FOR THIS BOM

Item	Part No.	Name	Qty	L
1	3371821098	Label kit	1	
-	3371896061	Safety label	1	
Not Shown	-	Pressure charge	1	A
Not Shown	-	Product label	2	B
Not Shown	-	Product label	1	C
Not Shown	-	Product label	1	D
Not Shown	-	Noise level label	1	
Not Shown	-	EHTMA Category D	1	E
Not Shown	-	EHTMA Category E	1	F
Not Shown	-	Shank size, "Shank size 32 x 152"	1	
Not Shown	-	Shank size, "Shank size 32 x 160"	1	

Comments for Page: Label kit

(L)OCAL REMARKS

A | "N2"

B | "Atlas Copco"

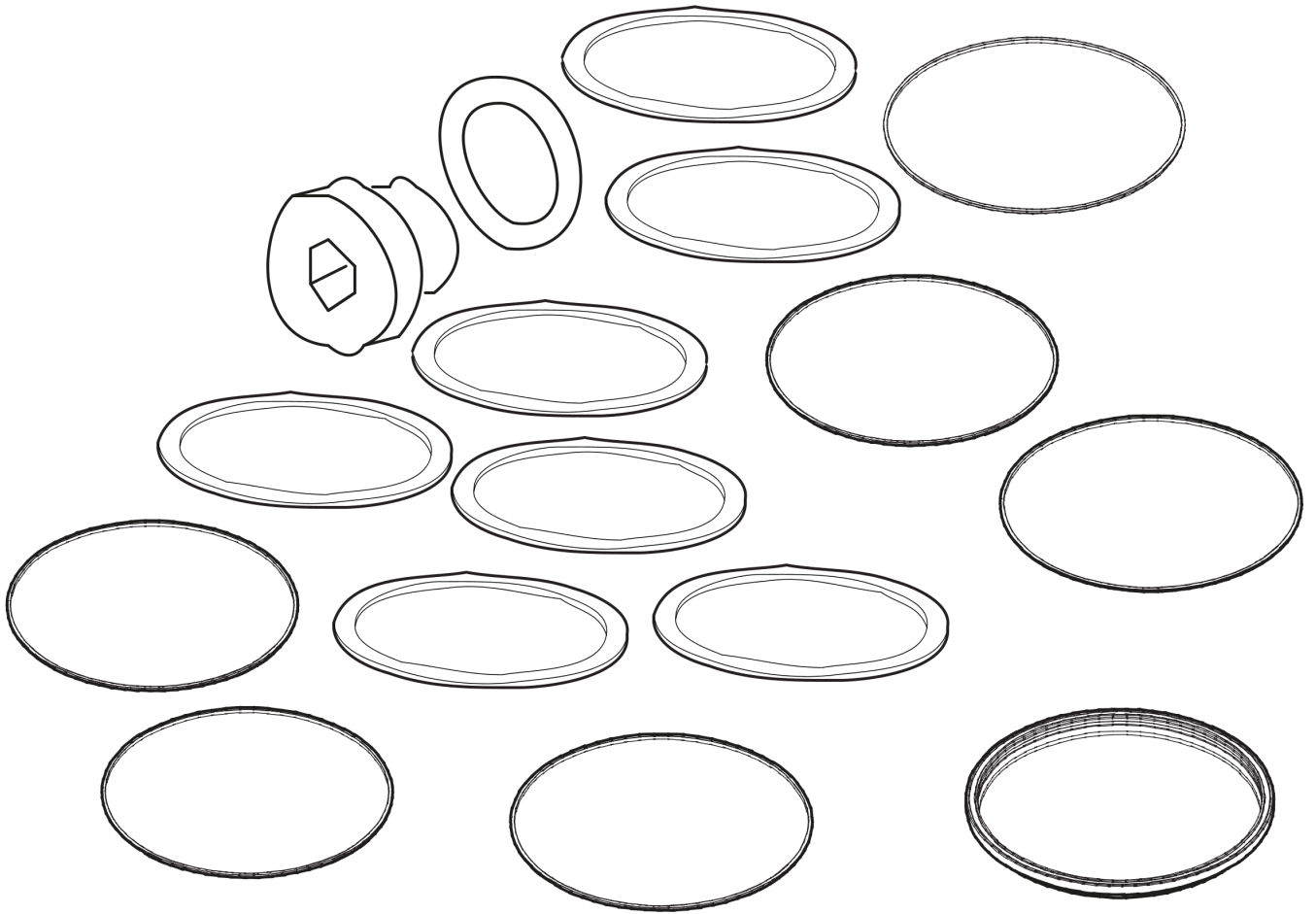
C | "LH 400 E"

D | "LH 390"

E | 30 lpm

F | 40 lpm

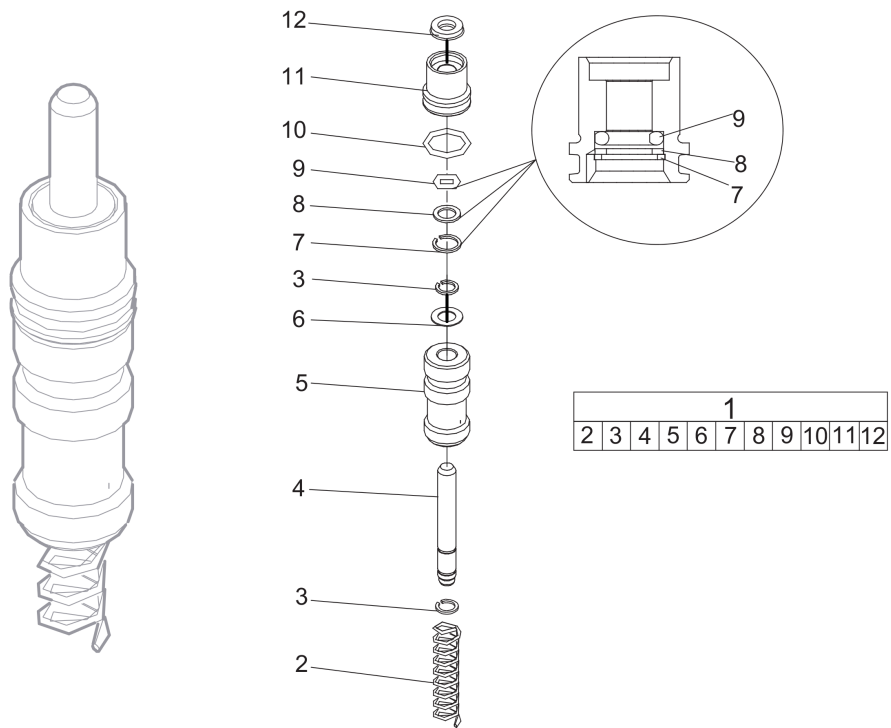
**Kits** Seal kit





Item	Part No.	Name	Qty	L
1	3371820087	Seal kit	1	
-	3371814709	Seal ring	1	
-	3371813710	Protective cap M24 x 1.5 mm	1	
-	3371820702	O-ring Ø 0.94 x 0.06 in. Ø 24 x 1.5 mm	1	
-	3371820703	O-ring Ø 0.71 x 0.08 in. Ø 18 x 2 mm	4	
-	3371820704	O-ring Ø1.18 x 0.08 in. Ø 30 x 2 mm	1	
-	3371820705	O-ring Ø 1.26 x 0.08 in. Ø 32 x 2 mm	2	
-	3371820762	O-ring Ø 0.99 x 0.07 in. Ø 25.1 x 1.8 mm	1	
-	3371820751	Lock ring	1	
-	3371820749	Seal, Ø 1.50 x 1.77 x 0.24 in. (Ø 38 x 45 x 6 mm)	1	
-	3371820752	Wiper	1	
-	3371805714	Seal ring 1/2"	2	
-	3371814732	Circlip	2	
-	3371820700	Shim PS 0.31 x 0.55 x 0.02 in. PS 8 x 14 x 0.5 mm	1	
-	3371814700	O-ring Ø 0.33 x 0.09 in. Ø 8.3 x 2.4 mm	1	
-	3371814702	O-ring Ø 0.64 x 0.09 in. Ø 16.3 x 2.4 mm	1	
-	3371805503	Seal Ø 0.71 x 0.55 x 0.14 x 0.20 in. Ø 18 x 14 x 3.5 x 5 mm	1	
-	3371814701	Back-up ring	1	
-	3371814712	Circlip	1	
-	3371817757	O-ring Ø 0.24 x 0.08 in. Ø 6 x 2 mm	1	
-	3371100084	O-ring Ø 0.31 x 0.08 in. Ø 8 x 2 mm	1	
-	3371820718	Seal ring	1	
-	3371820725	O-ring Ø 3.23 x 0.06 in. Ø 82 x 1.5 mm	1	
-	3371820748	O-ring, Ø 0.71 x 0.06 in. (Ø 18 x 1.5 mm)	1	
-	3371814749	O-ring Ø 0.51 x 0.06 in. Ø 13 x 1.5 mm	1	
-	3371820260	Back-up washer, Ø 1.52 x 1.89 x 0.10 in. (Ø 38.7 x 48 x 2.5 mm)	1	
-	3371820750	Lock ring	1	
-	3371815131	Nab	2	

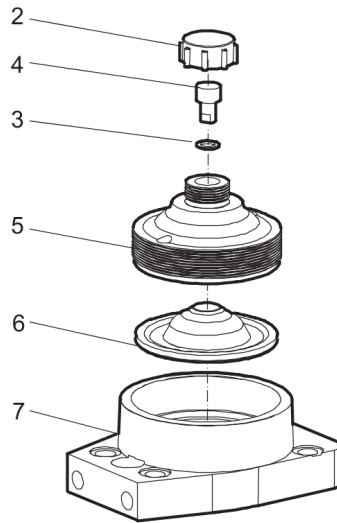
**Kits** Trigger valve kit



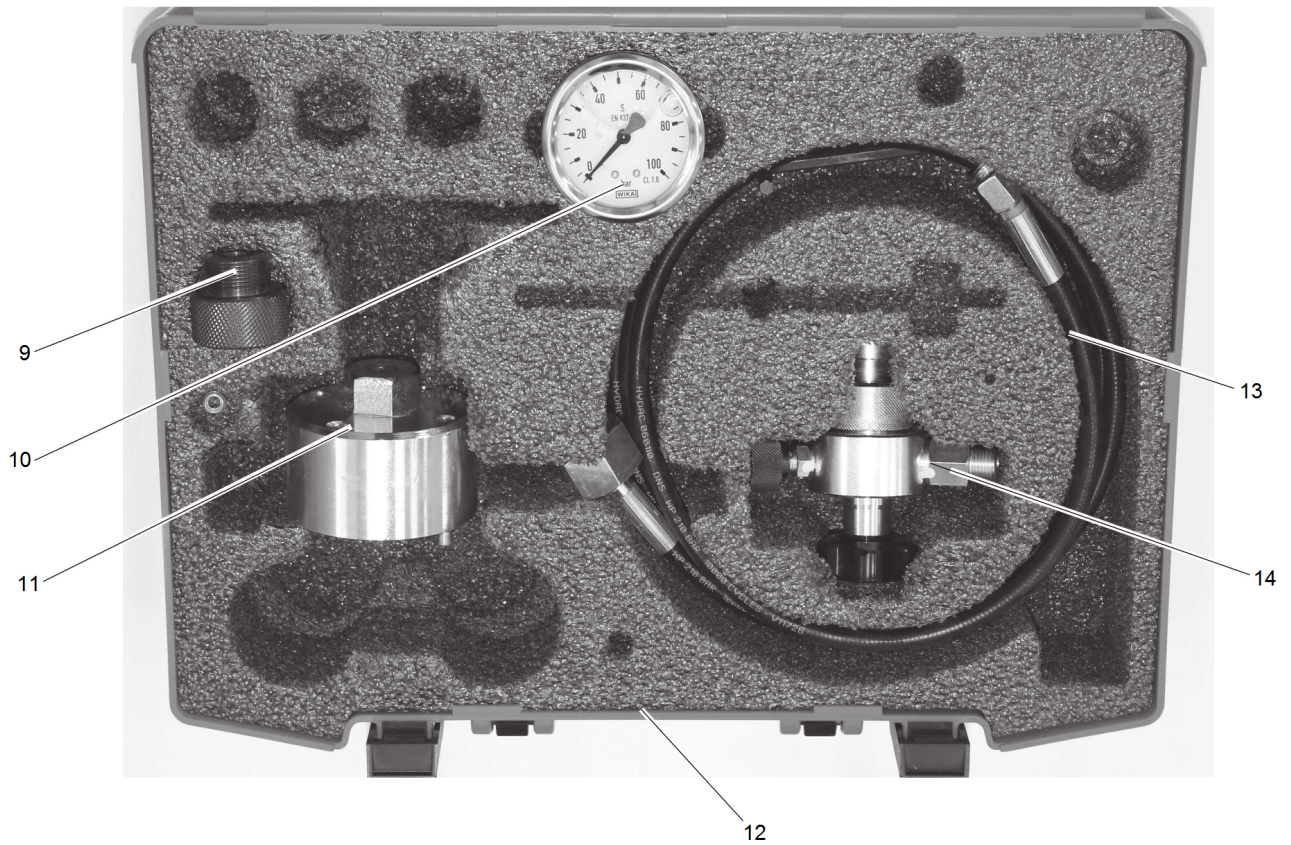
Item	Part No.	Name	Qty	L
1	3371820053	Trigger valve kit	1	
2	3371820137	Spring	1	
3	3371814732	Circlip	2	
4	3371820136	Trigger rod	1	
5	3371820108	Trigger spool	1	
6	3371820700	Shim PS 0.31 x 0.55 x 0.02 in. PS 8 x 14 x 0.5 mm	1	
7	3371814712	Circlip	1	
8	3371814701	Back-up ring	1	
9	3371814700	O-ring Ø 0.33 x 0.09 in. Ø 8.3 x 2.4 mm	1	
10	3371814702	O-ring Ø 0.64 x 0.09 in. Ø 16.3 x 2.4 mm	1	
11	3371814120	Packing gland	1	
12	3371805503	Seal Ø 0.71 x 0.55 x 0.14 x 0.20 in. Ø 18 x 14 x 3.5 x 5 mm	1	

**Kits** Accumulator kit

			1			
2	3	4	5	6	7	



				8		
9	10	11	12	13	14	



Refer to Parts Online for the most up to date information. The printed information might be outdated.

Thu Feb 13 12:57:35 UTC 2020

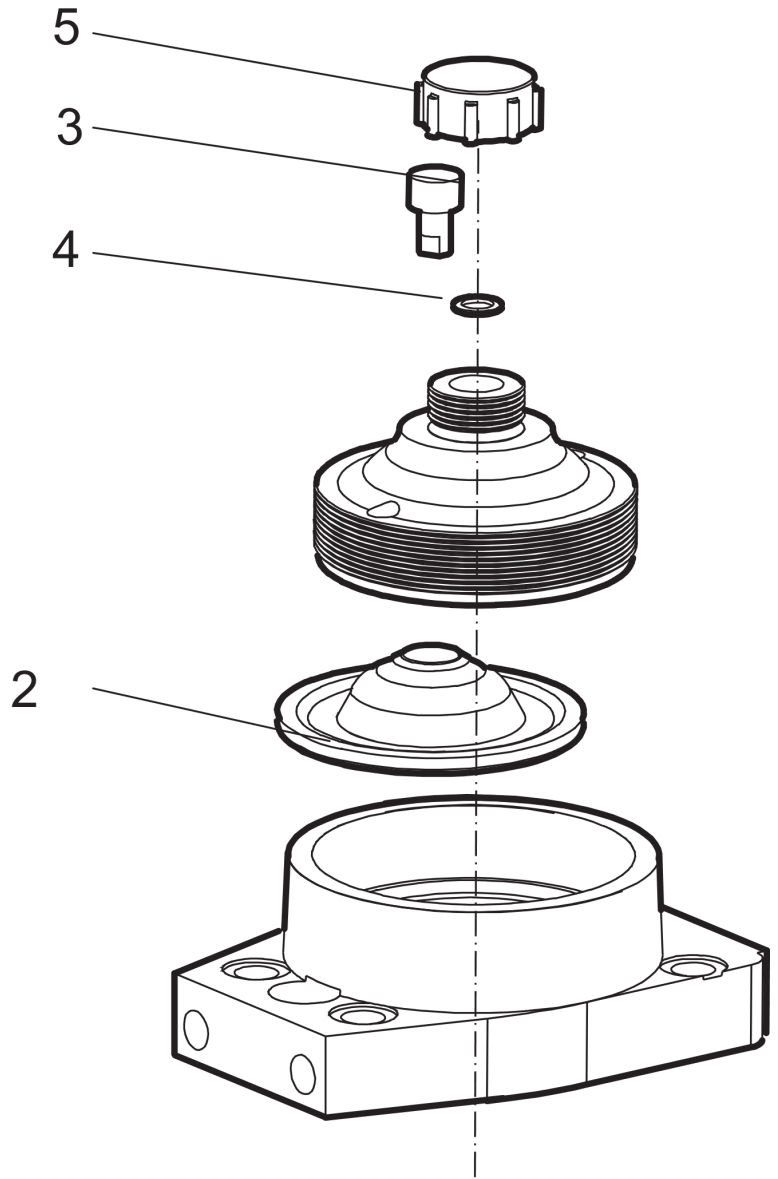
Item	Part No.	Name	Qty	L
1	3371814051	Accumulator kit	1	
2	3376117071	Protective cap	1	
3	3371814709	Seal ring	1	
4	3371813103	Charging screw	1	
5	3371814102	Accumulator cover	1	
6	3371814052	Diaphragm	1	
7	3371814104	Accumulator body	1	
8	3371801155	Filling device kit	1	
9	3371807780	Adapter	1	
10	-	Manometer	1	
11	3371807760	Tool for accumulator	1	
12	-	Suitcase	1	
13	3371807779	Charging hose	1	
14	3371807778	Charging device	1	
Not Shown	-	Adapters	1	

Refer to Parts Online for the most up to date information. The printed information might be outdated.

Thu Feb 13 12:57:35 UTC 2020

**Kits** 3310101845\_Accumulator repair kit

1				
2	3	4	5	



Item	Part No.	Name	Qty	L
1	3310101845	Accumulator repair kit	1	
2	3371814052	Diaphragm	1	
3	3371813103	Charging screw	1	
4	3371814709	Seal ring	1	
5	3376117071	Protective cap	1	

---

Refer to Parts Online for the most up to date information. The printed information might be outdated.

Thu Feb 13 12:57:35 UTC 2020

**AUTORYZOWANY PARTNER:**

**TECHBUD**

SILNIKI • MASZYNY BUDOWLANE • DROGOWE • AGREGATY

**Techbud Sp. z o.o.**  
**ul. Gorzowska 12**  
**65-127 Zielona Góra**

**tel. +48 68 470 72 50**  
**fax +48 68 470 72 51**  
**www.techbud.eu**  
**techbud@techbud.eu**

Any unauthorized use or copying of the contents or any part thereof is prohibited.  
This applies in particular to trademarks, model denominations, part numbers, and  
drawings.

**Atlas Copco**

**www.atlascopco.com**